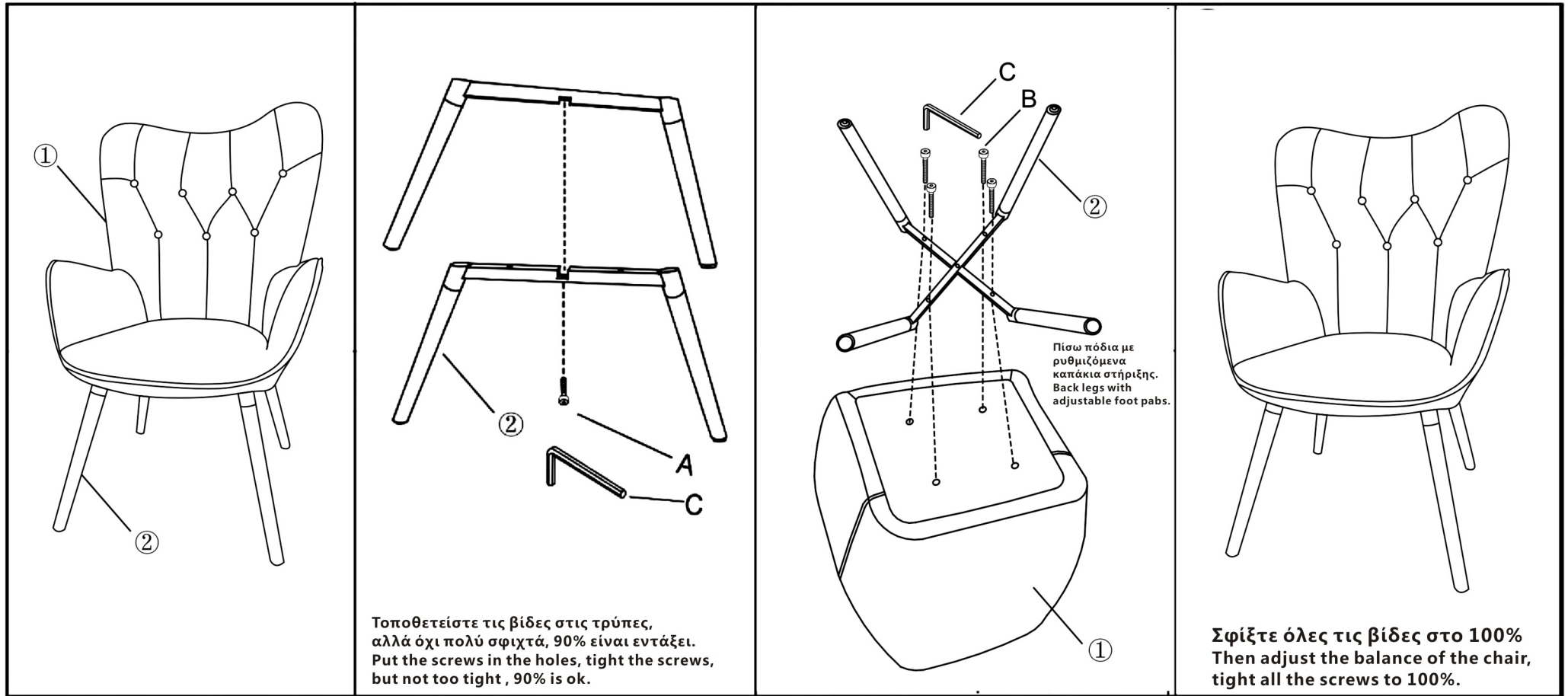





# ASSEMBLY INSTRUCTIONS

## ΟΔΗΓΙΕΣ ΣΥΝΑΡΜΟΛΟΓΗΣΗΣ



HARDWARE LIST	CODE	PARTS	QTY.
	1	ΚΑΘΙΣΜΑ-SEAT	1
2	ΠΟΔΙΑ-LEGS	2	

HARDWARE LIST	CODE	PARTS	QTY.
	A	M6 x 25MM	
B	M6x48MM		4
C	ALLEN KEY		1