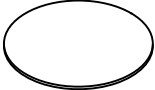






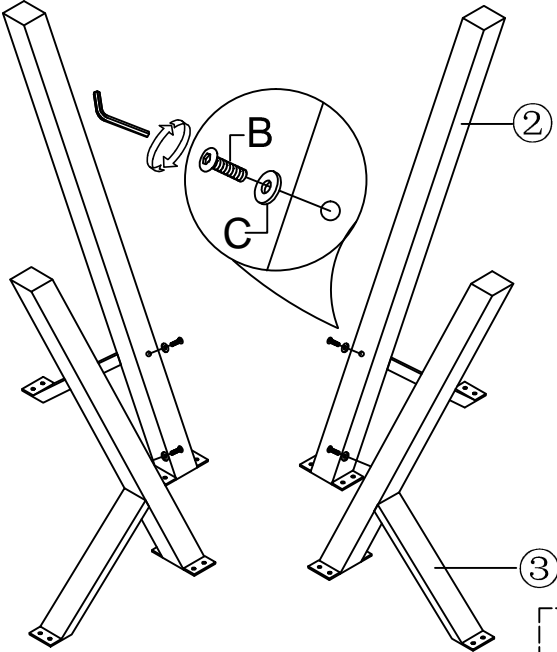



①  x 1	②  x 4	③  x 4	
<b>A</b> M6x25mm  x24	<b>B</b> M6x65mm  x 4	<b>C</b> M6xØ16mm  x28	<b>D</b> M5  x 1

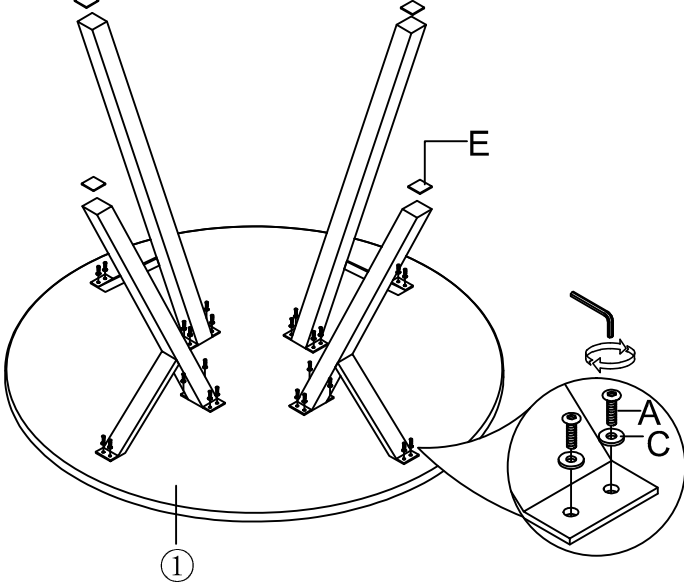
**1**




60%

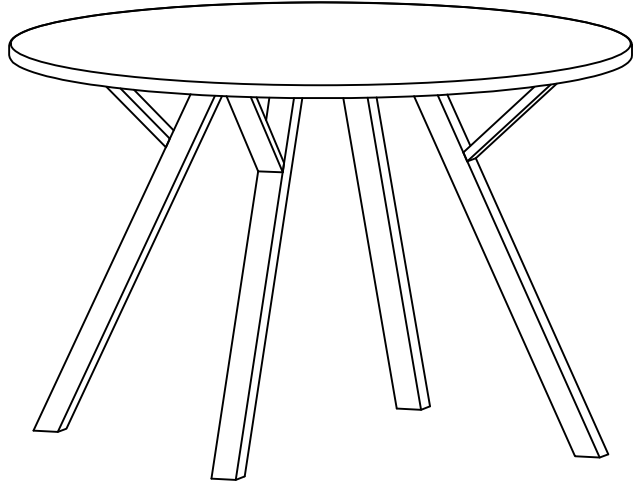


**2**



70%





100%

