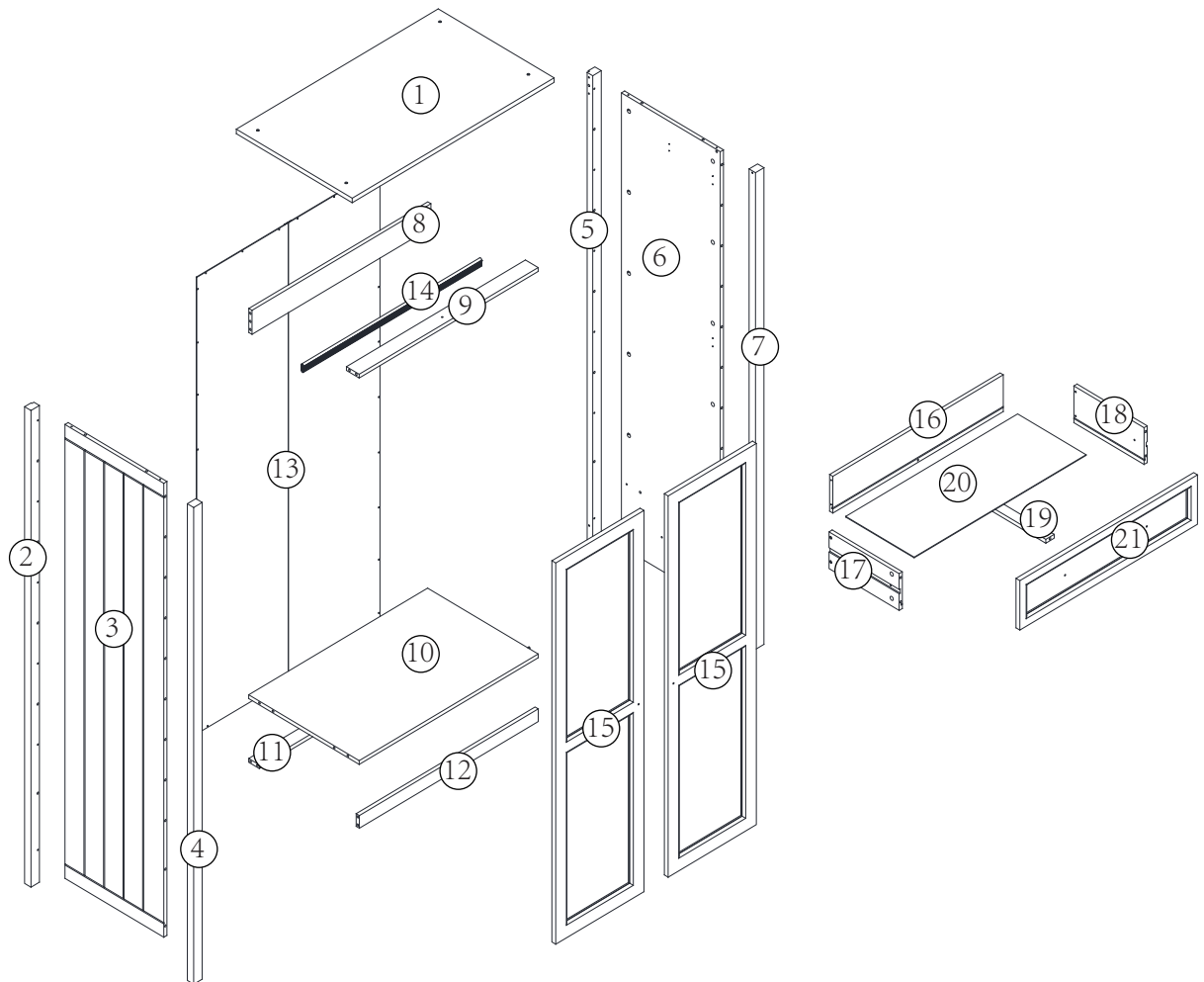


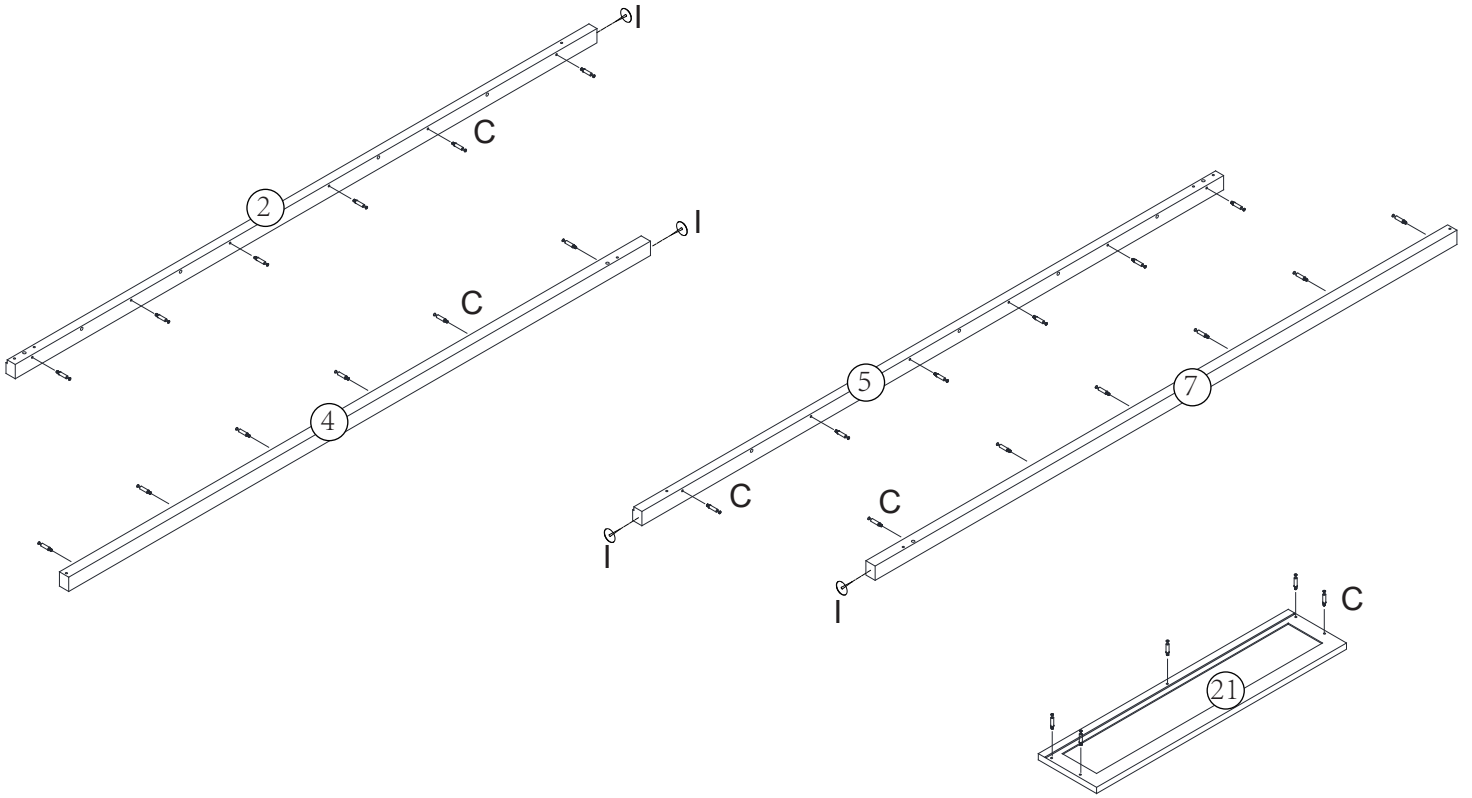


- |       |      |       |       |
|-------|------|-------|-------|
|       |      |       |       |
| AX 36 | BX 9 | CX 43 | DX 43 |
|       |      |       |       |
| EX 28 | FX 2 | GX 2  | HX 28 |
|       |      |       |       |
| IX 4  | JX 2 | KX 6  | LX 1  |
|       |      |       |       |
| MX 2  | OX 6 | PX 2  | QX 2  |
|       |      |       |       |
| RX 2  |      |       |       |





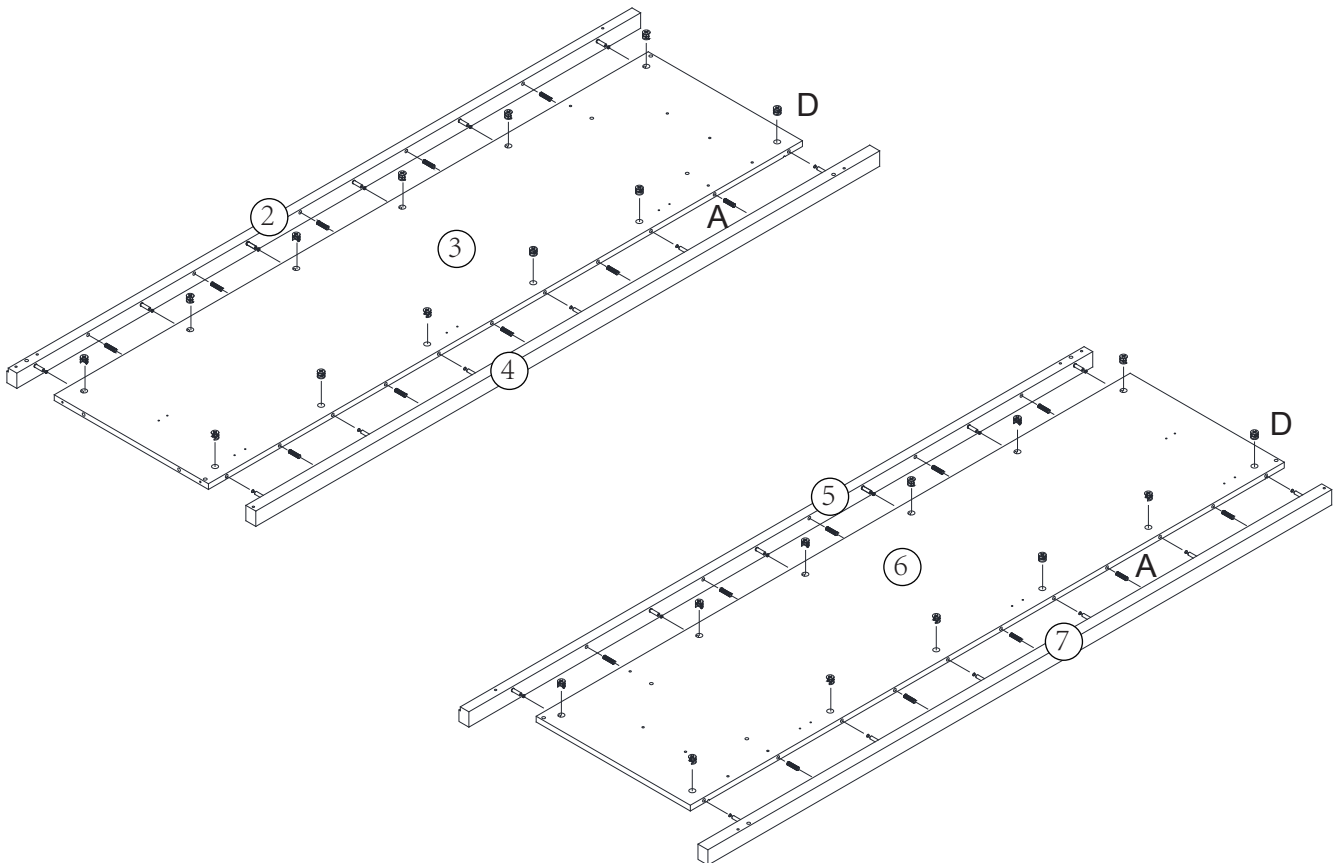
# 1

C x 29 	I x 4 
---	--








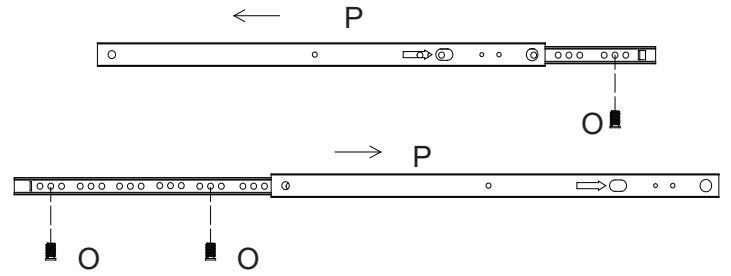
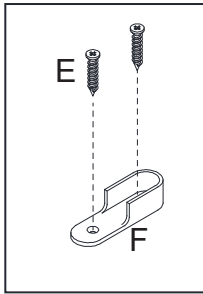
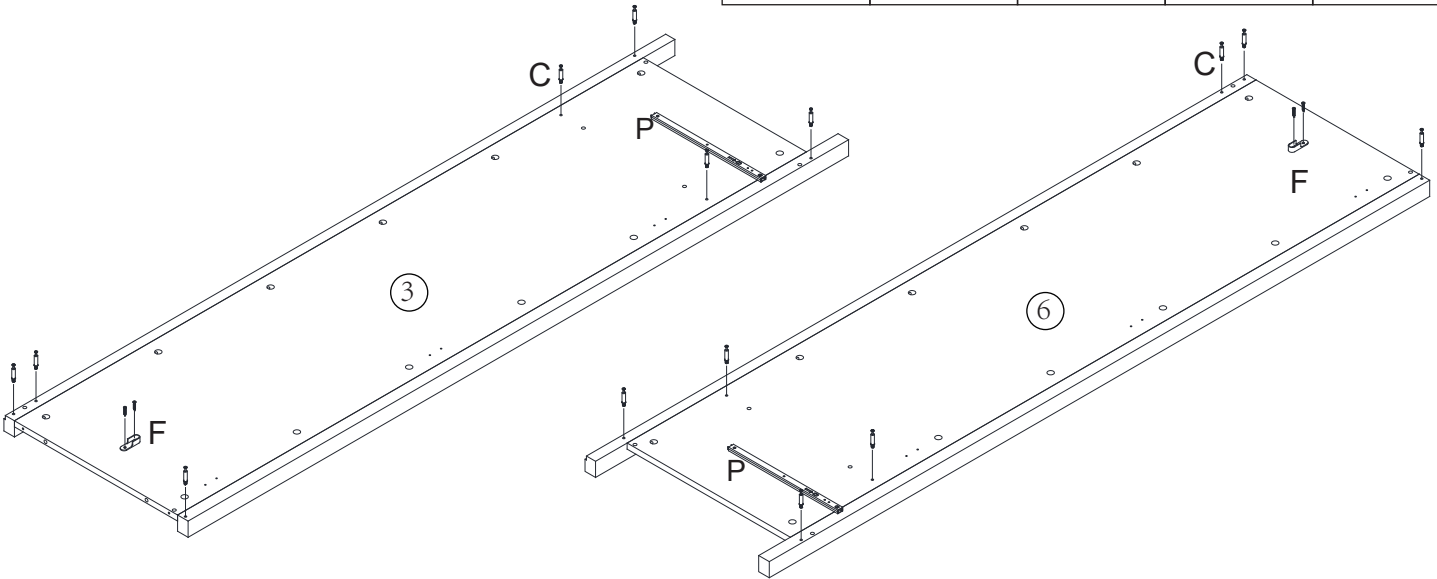
# 2

A x 20 	D x 24 
---	---





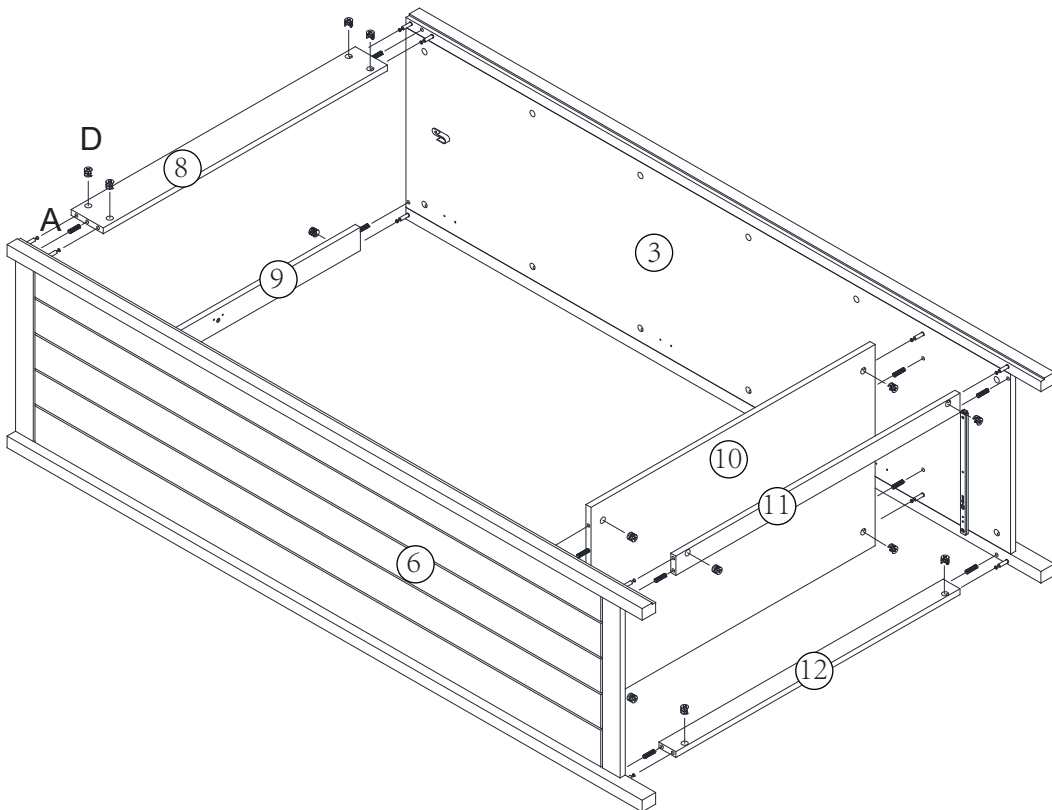
3

C x 14 	E x 4 	F x 2 	O x 6 	P x 2 
---	---	--	--	--

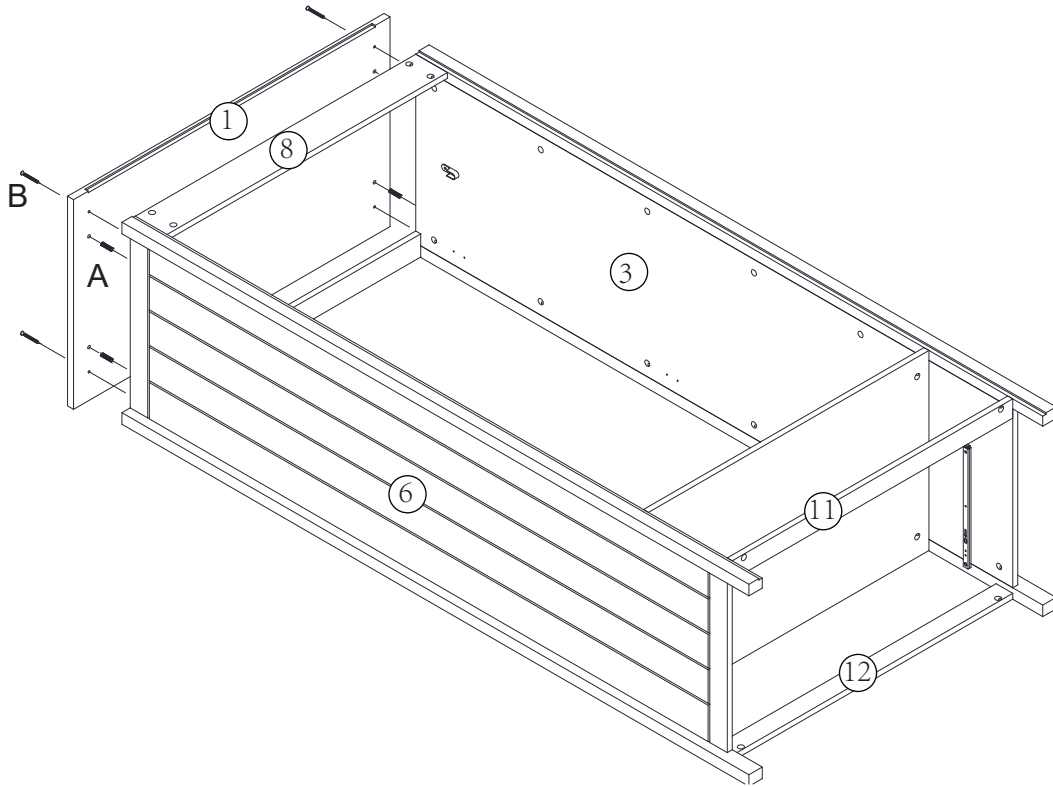
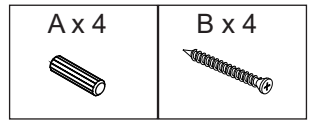


4

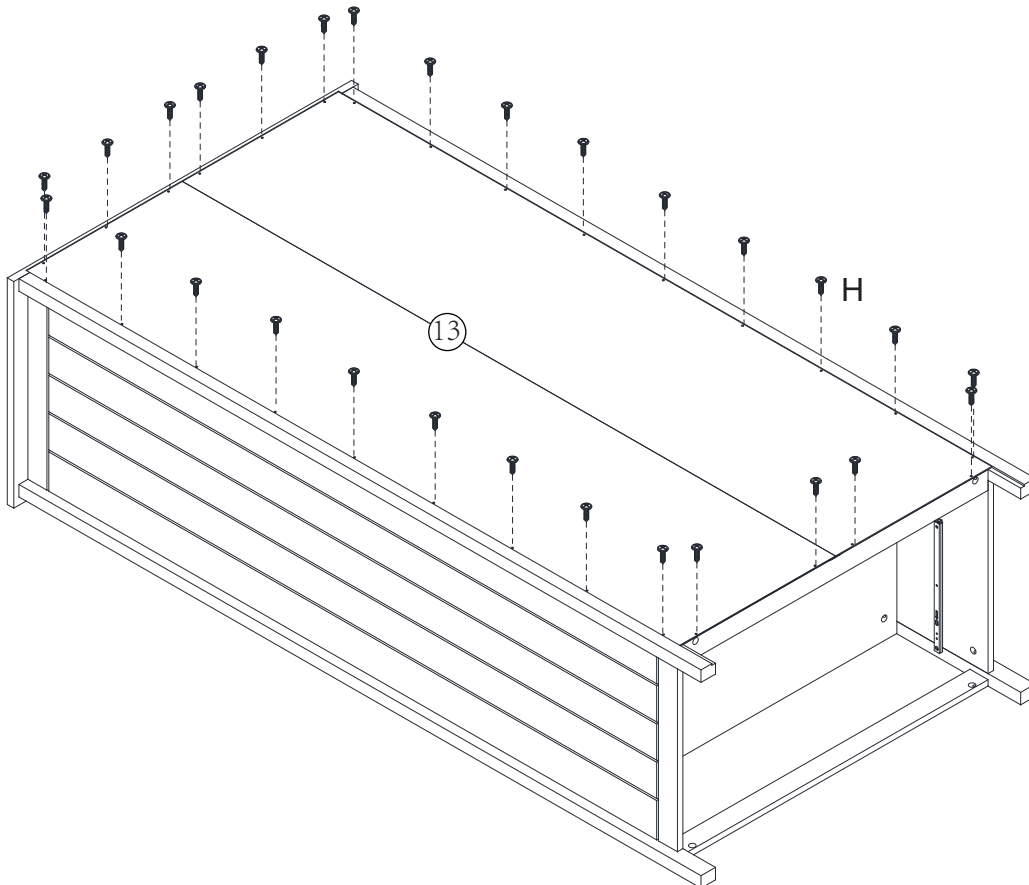
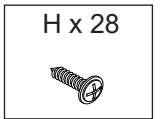
A x 12 	D x 14 
---	---



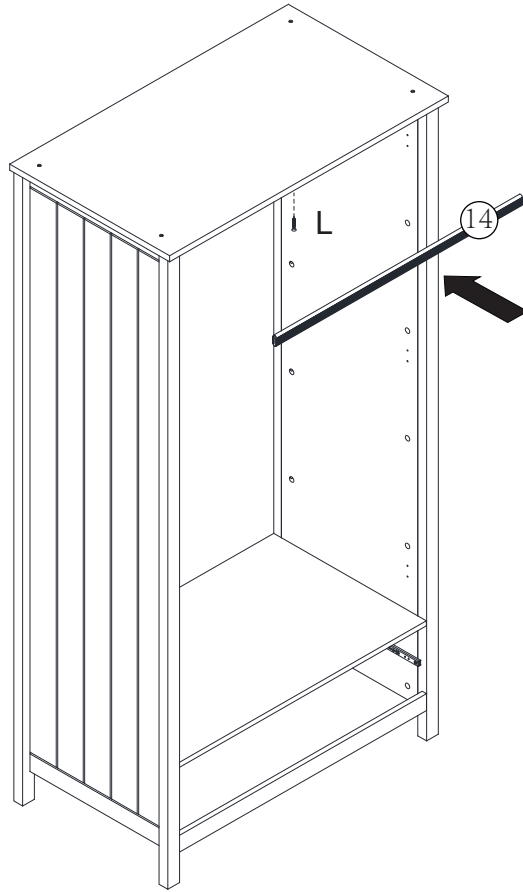
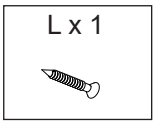
5



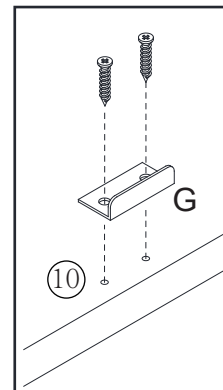
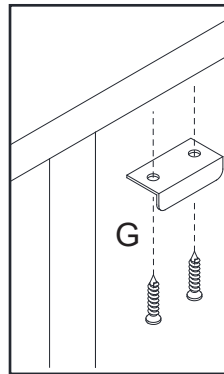
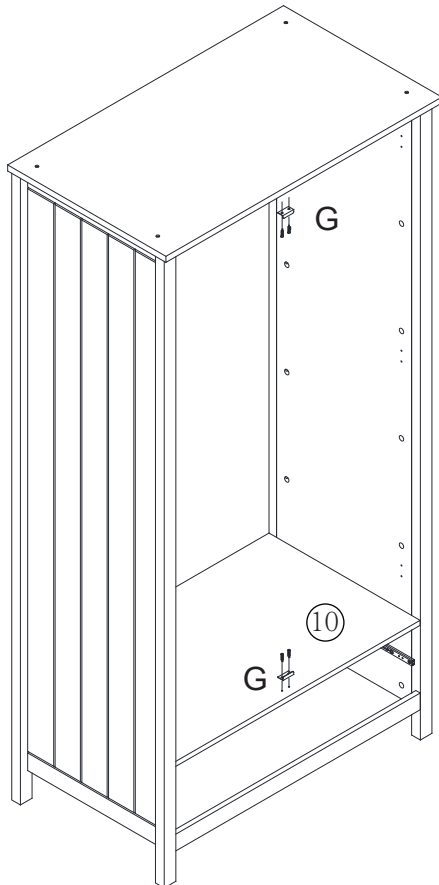
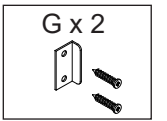
6



7

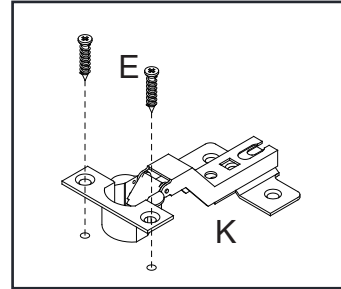
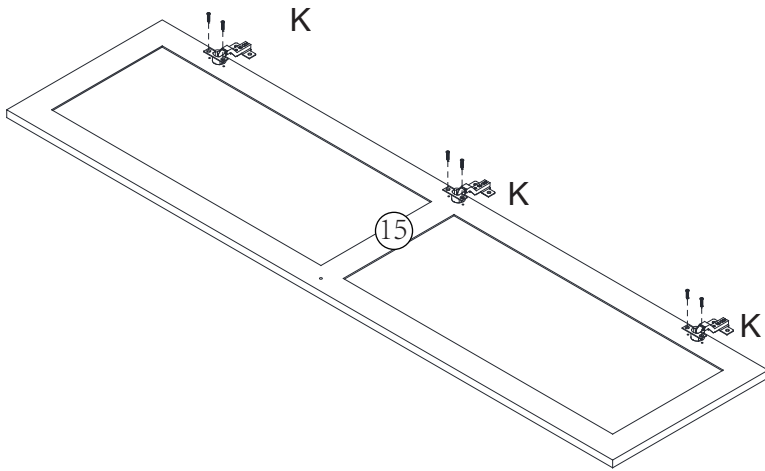


8



9

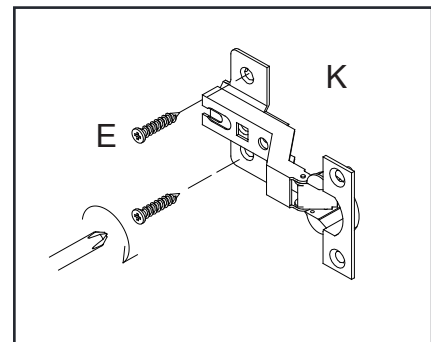
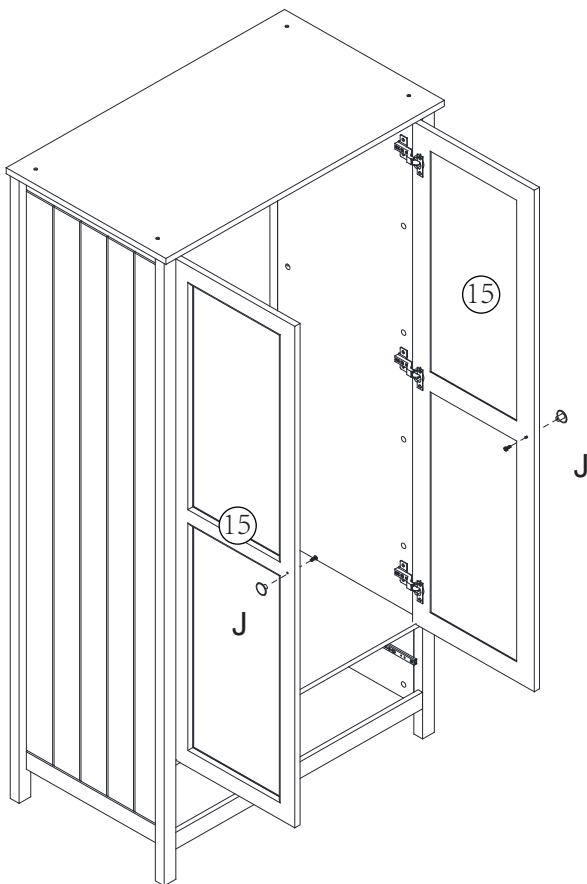
E x 12	K x 6
--------	-------



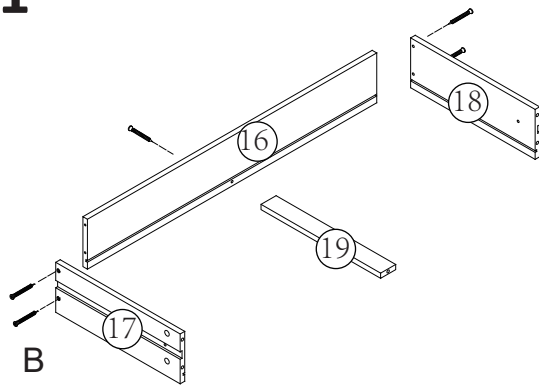
X2

10

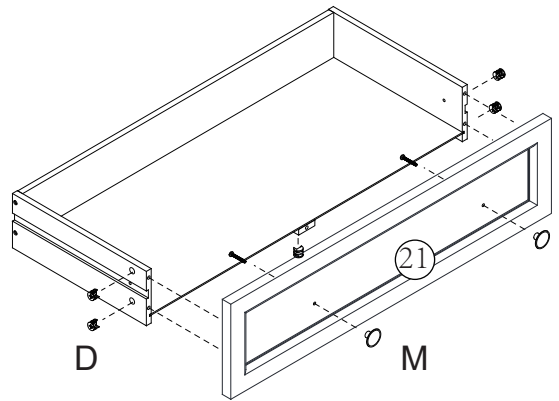
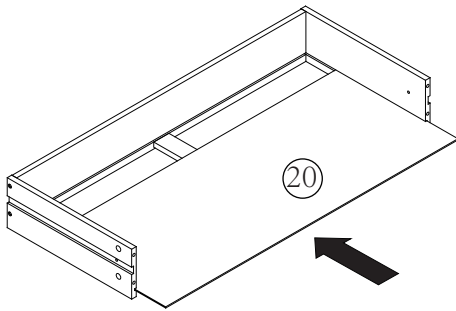
E x 12	J x 2
--------	-------



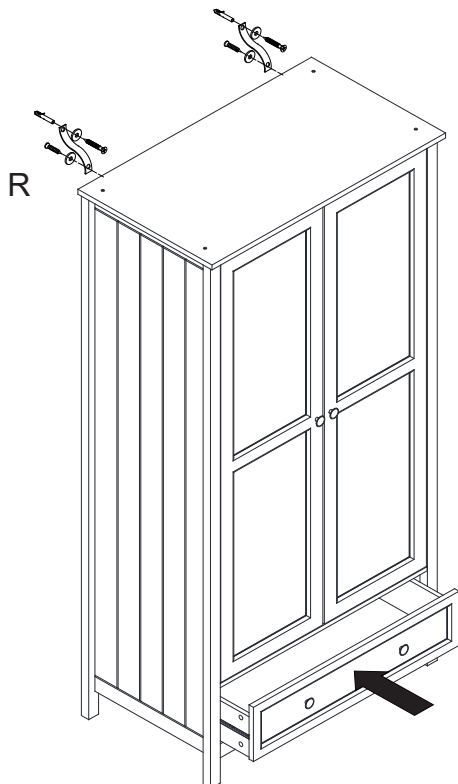
# 11



B x 5	D x 5	M x 2



# 12



Q x 2	R x 2

