

A X 32



B X 20



C X 48



D X 48



E X 8



F X 24



G X 8



H X 20



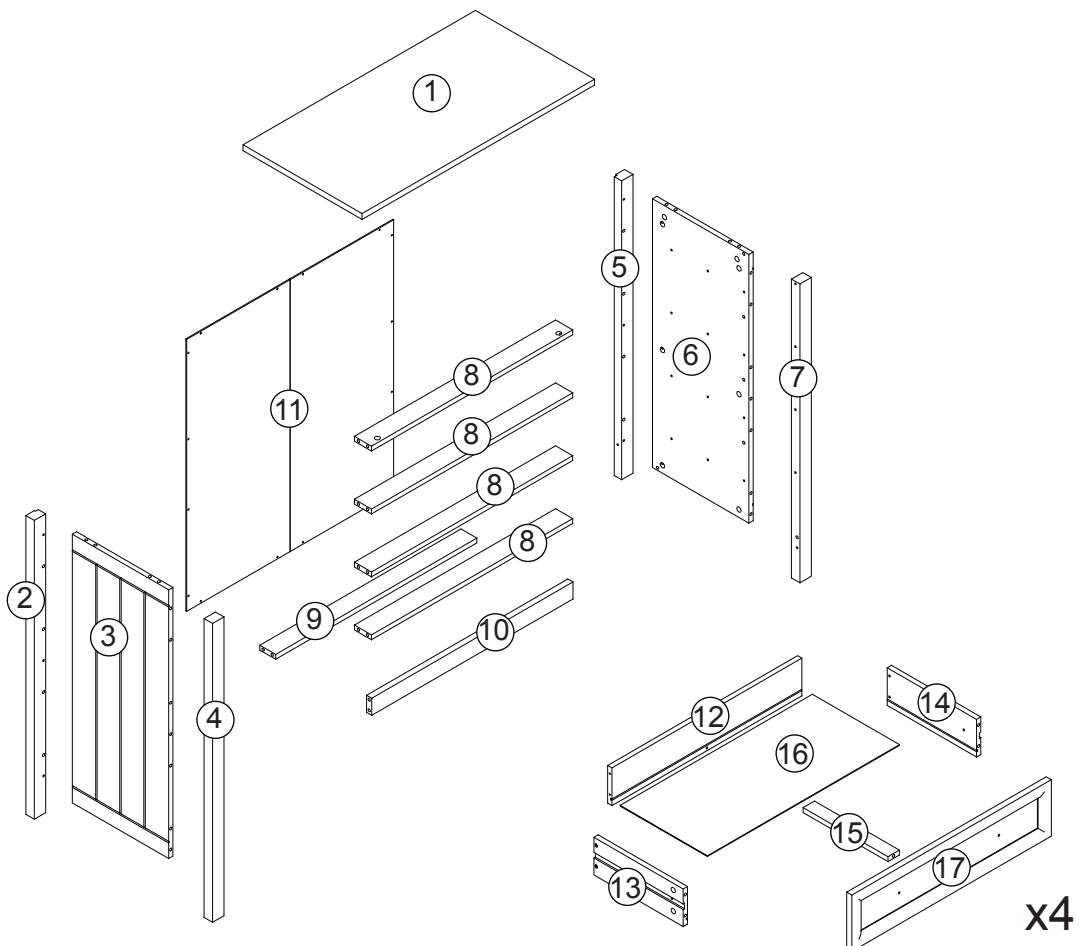
I X 4



J X 8

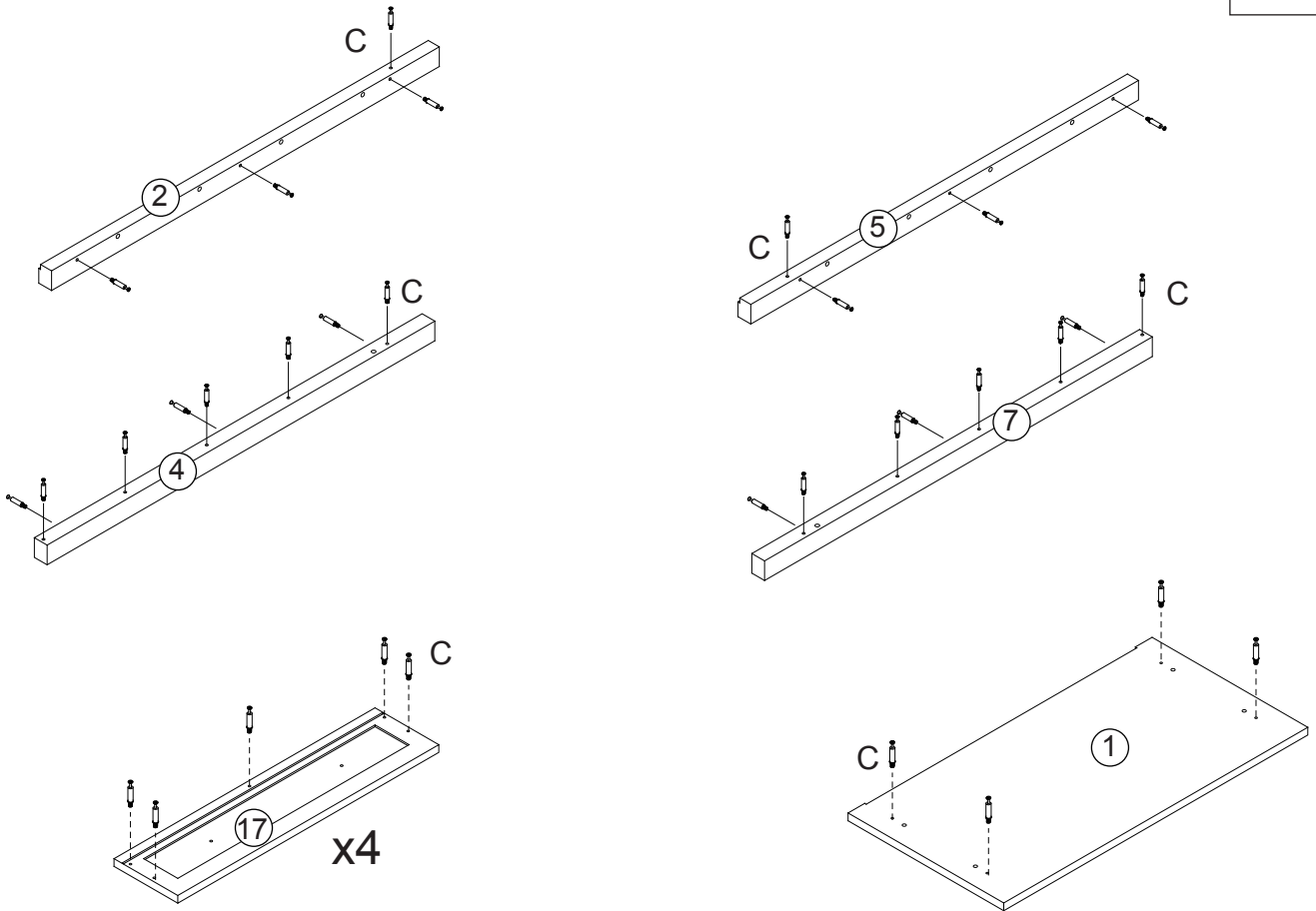


K X 2



1

C x48

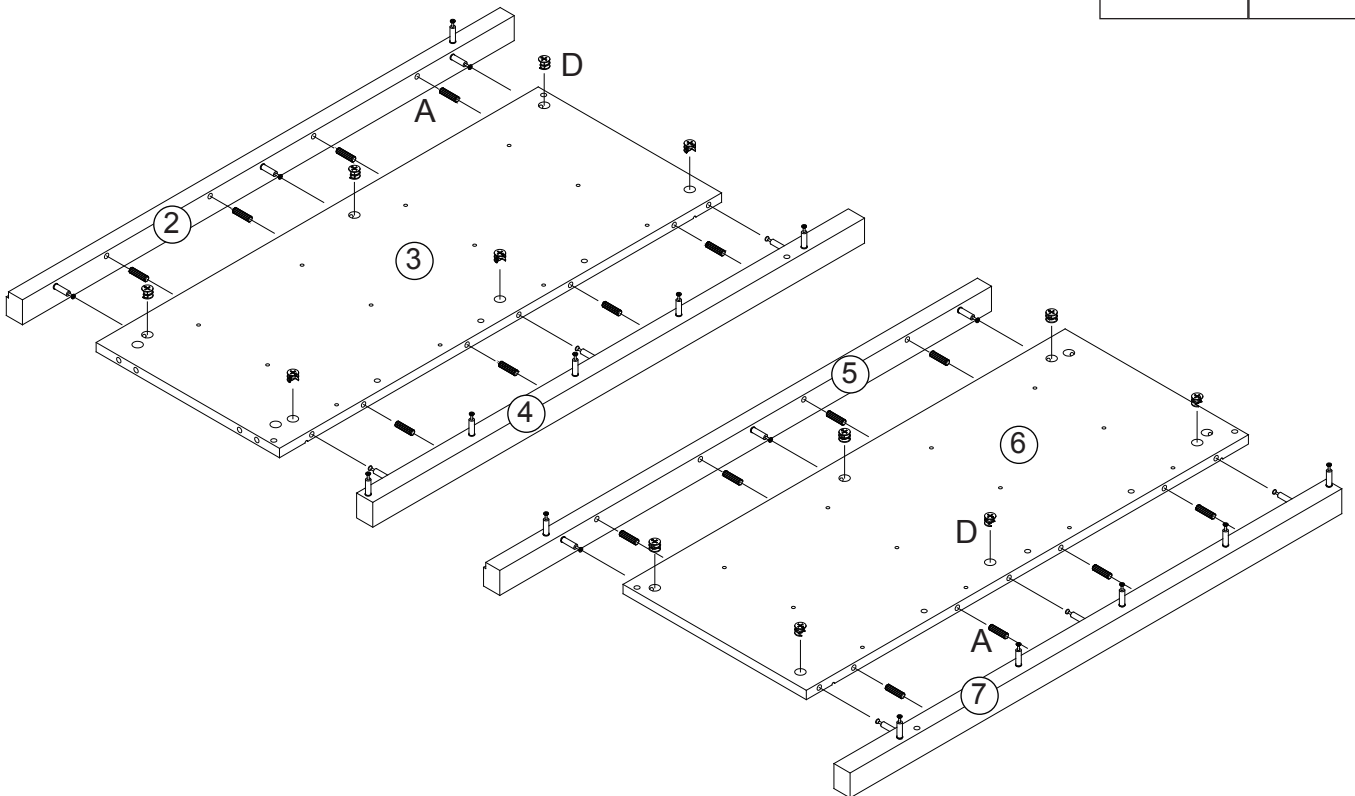


2




A x 16

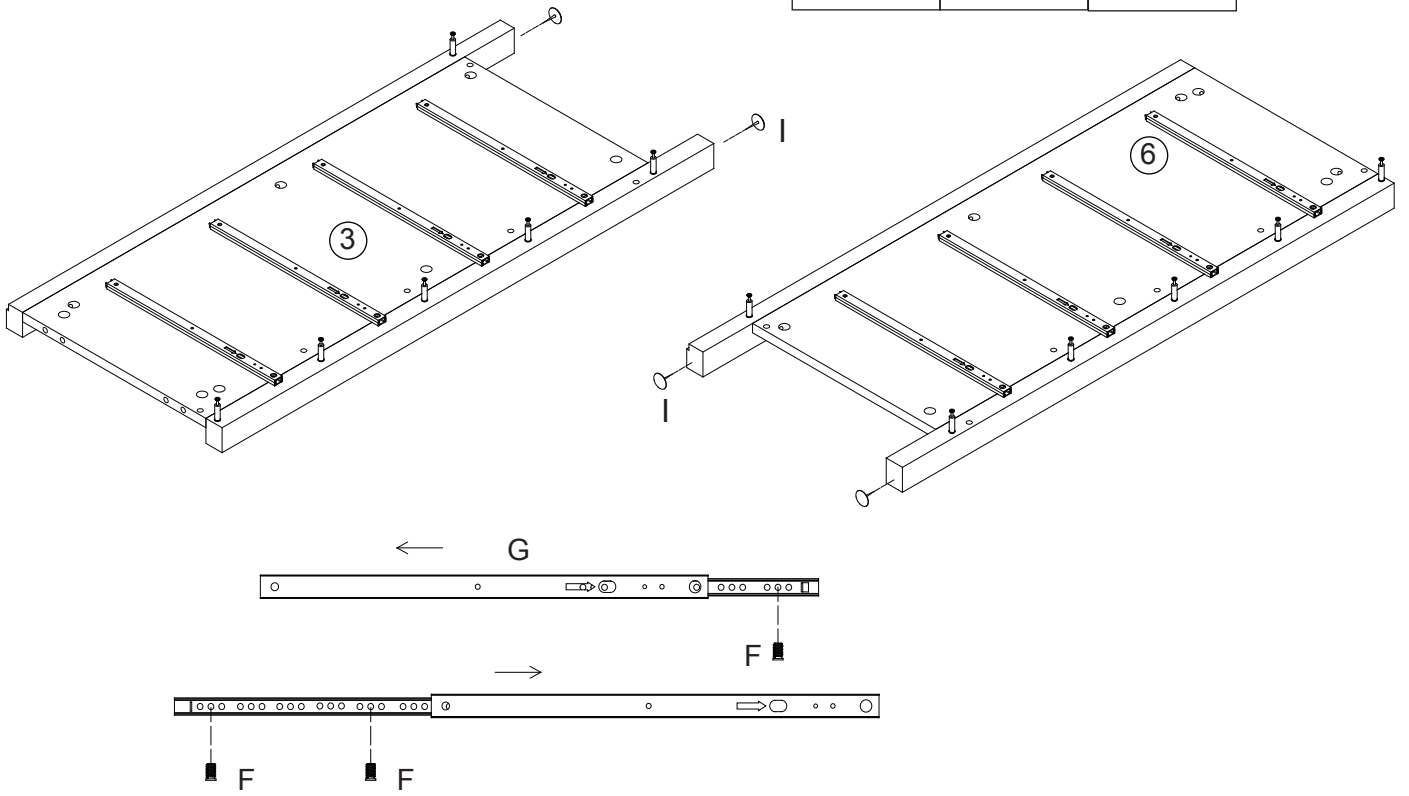


D x 12





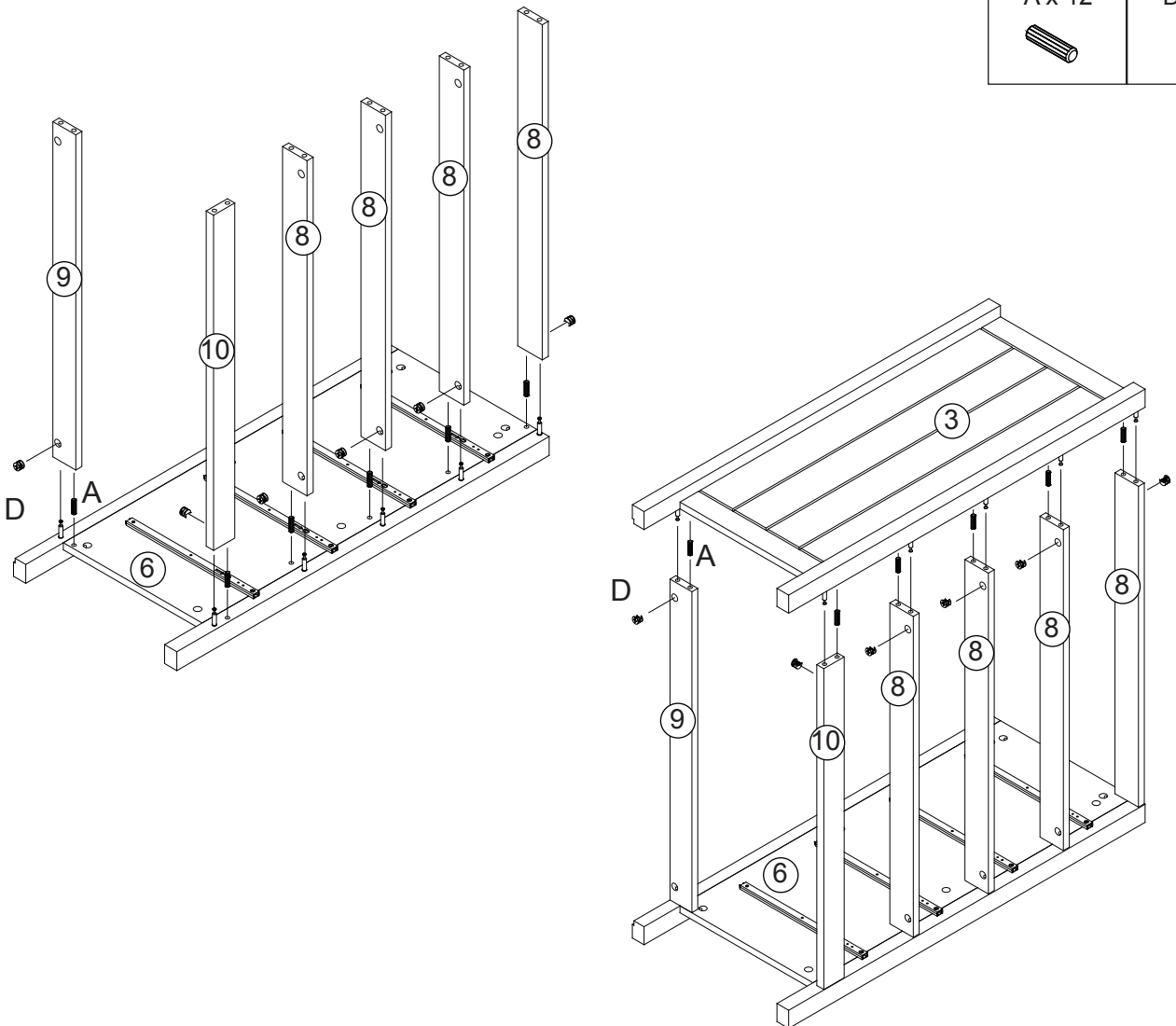
3

G x 8 	F x 24 	I x 4 
---	---	--






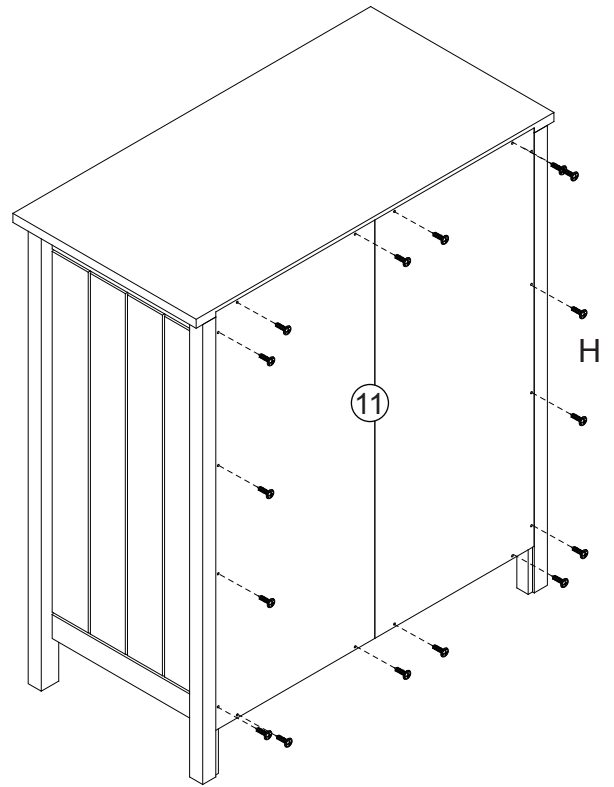
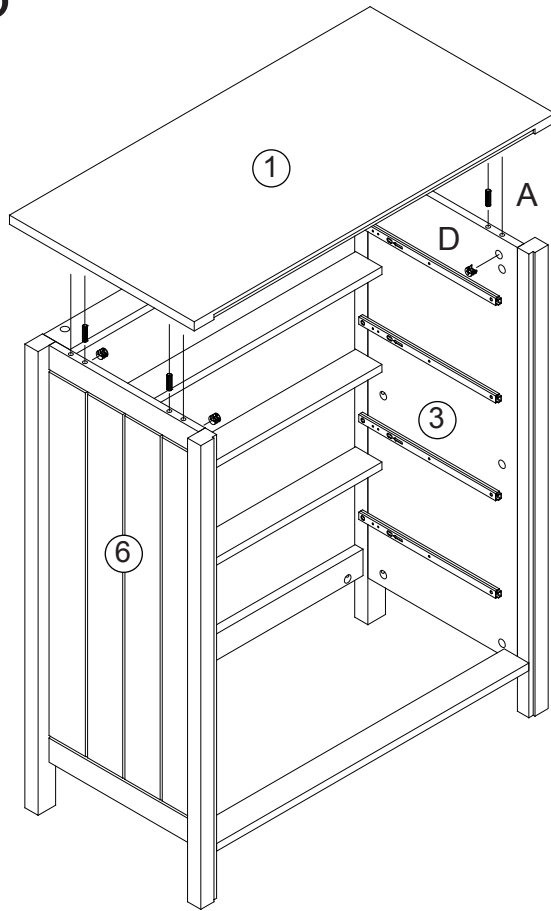
4

A x 12 	D x 12 
---	---




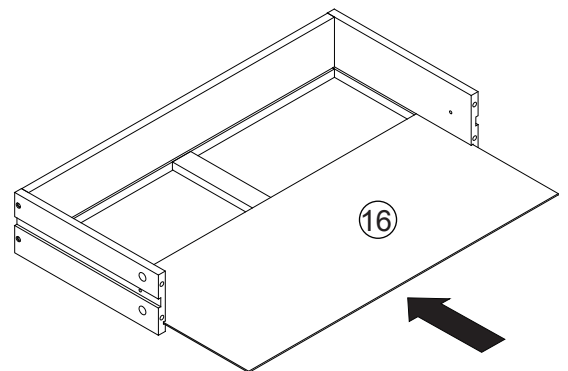
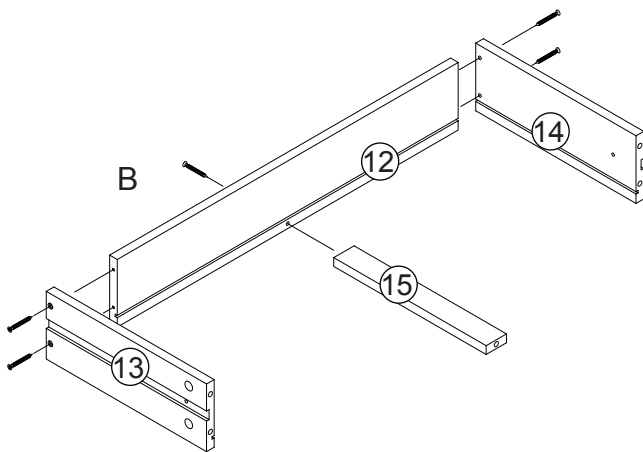
5

A x 4 	D x 4 	H x 16 
--	--	---



6

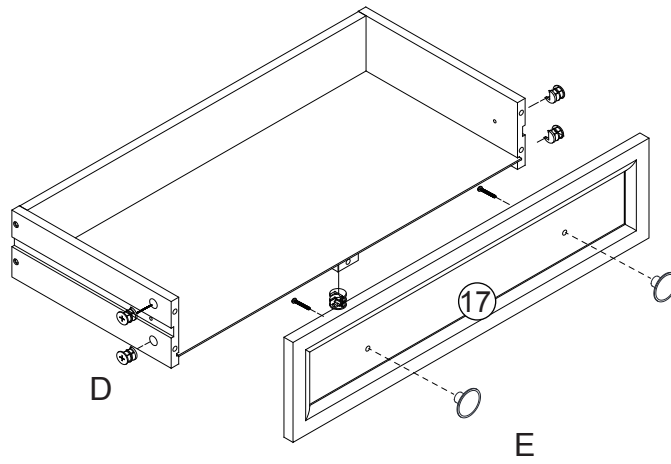
B x 5 
--



x4



7

D x 20 	E x 8 
---	--



x4

8

J x 8 	K x 2 
--	--

