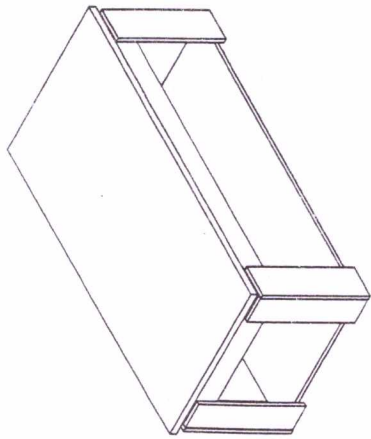
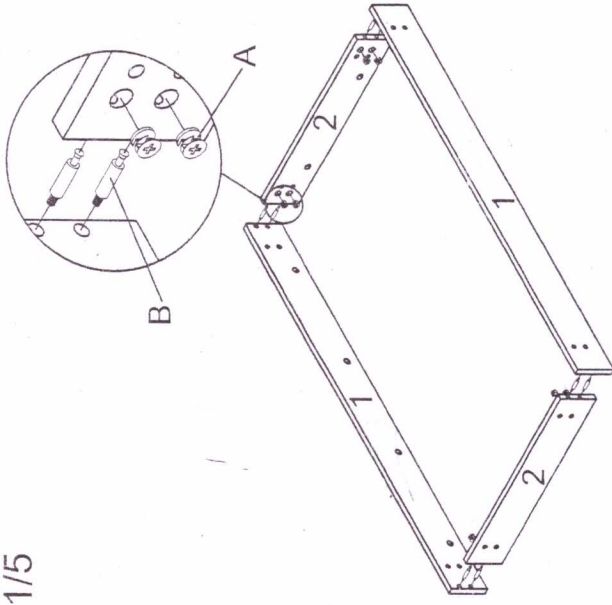


NS01050

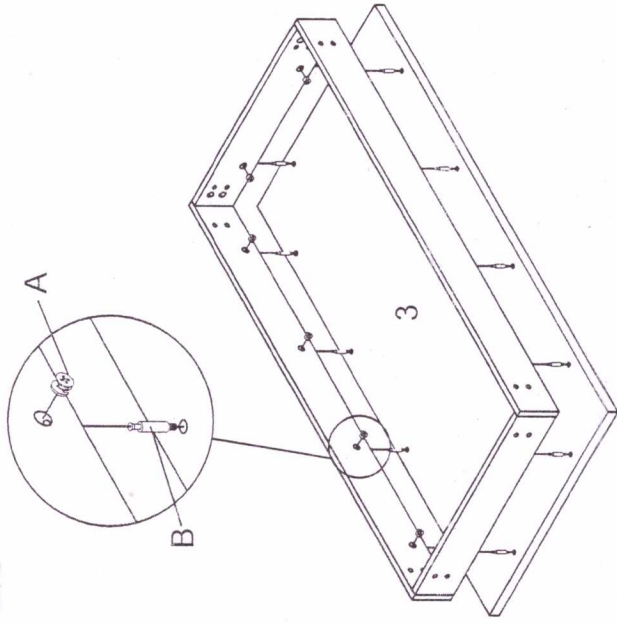


- A 28PCS
- B 28PCS
- C 8PCS
- D 16PCS
- E 4SET

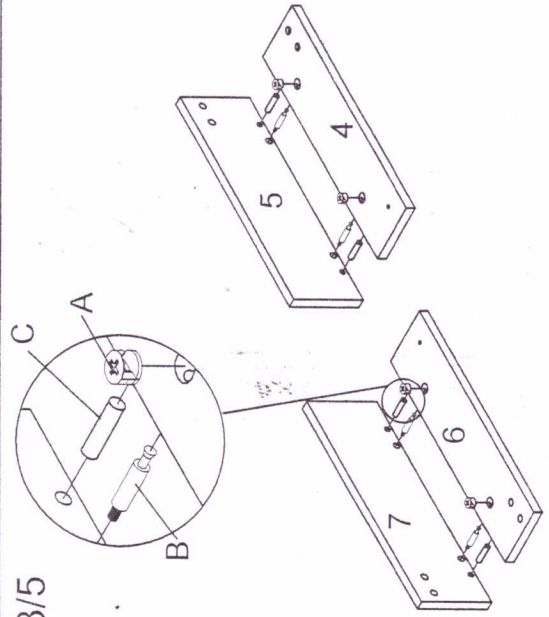
1/5



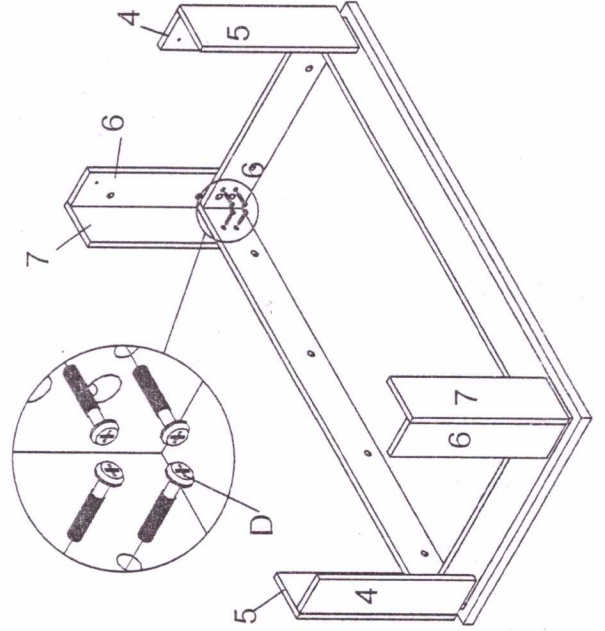
2/5



3/5



4/5



5/5

