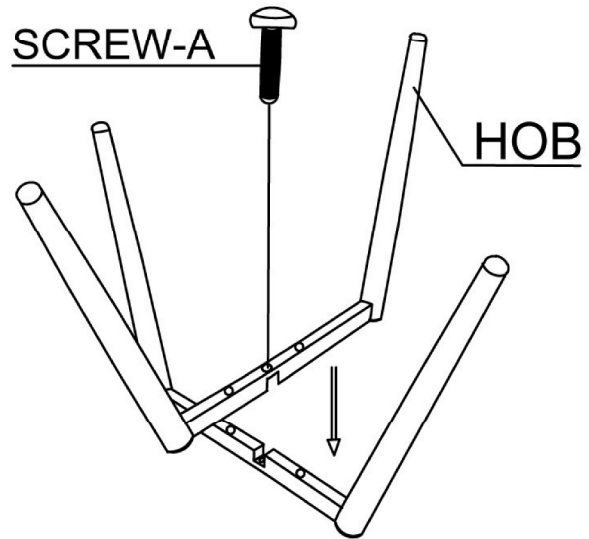


ASSEMBLY INSTRUCTION

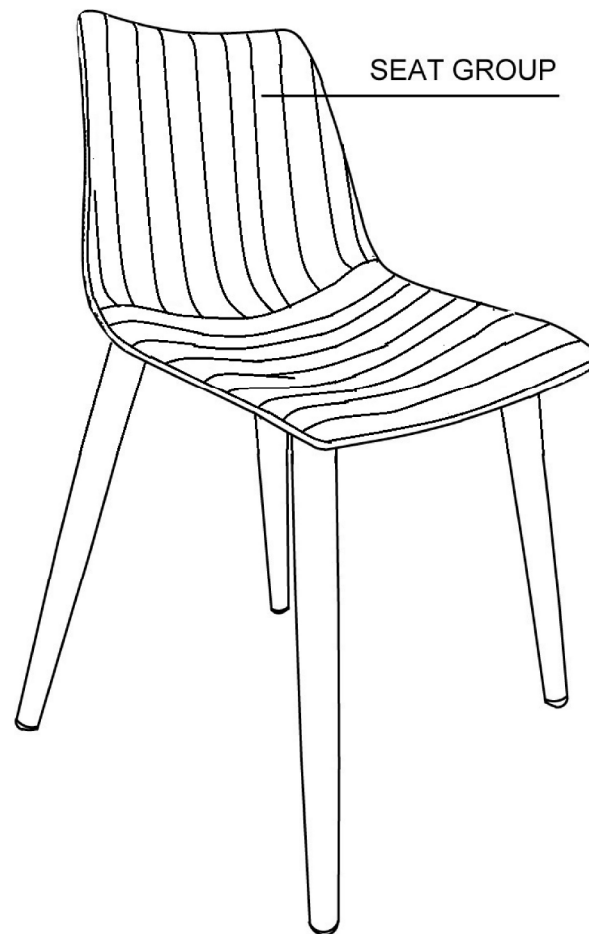
▽ PARTS*QTY

▽ ASSEMBLY PROGRAM

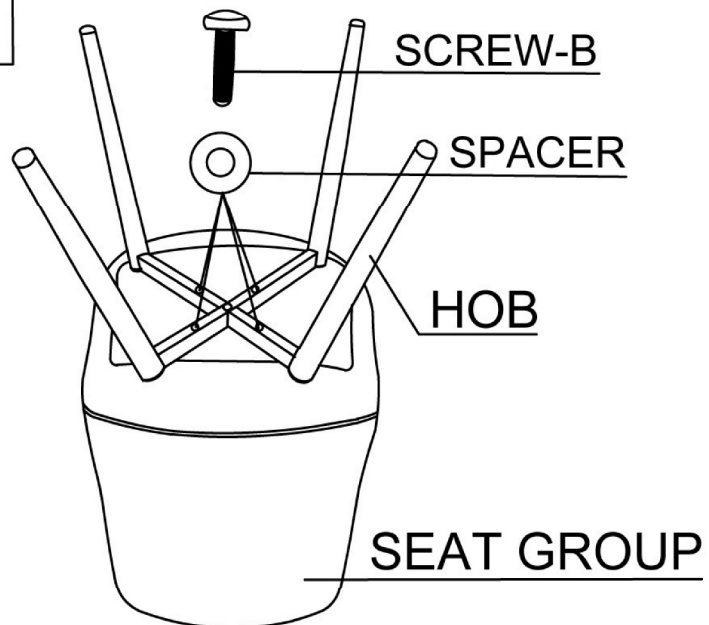
STEP1



FINISH



STEP2



SEAT GROUPx1



HOBx1



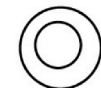
SCREW-A(M6X30mm)x1



SCREW-B(M6X45mm)x4



SPACER(M6X18mm)x4



SPANNERx1

