

A × 12



B × 12



C × 18



D × 12



E × 12



F × 2



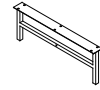
G × 1



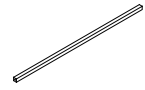
H × 12



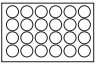
I × 2



J × 2



K × 1



L × 1



CL × 1



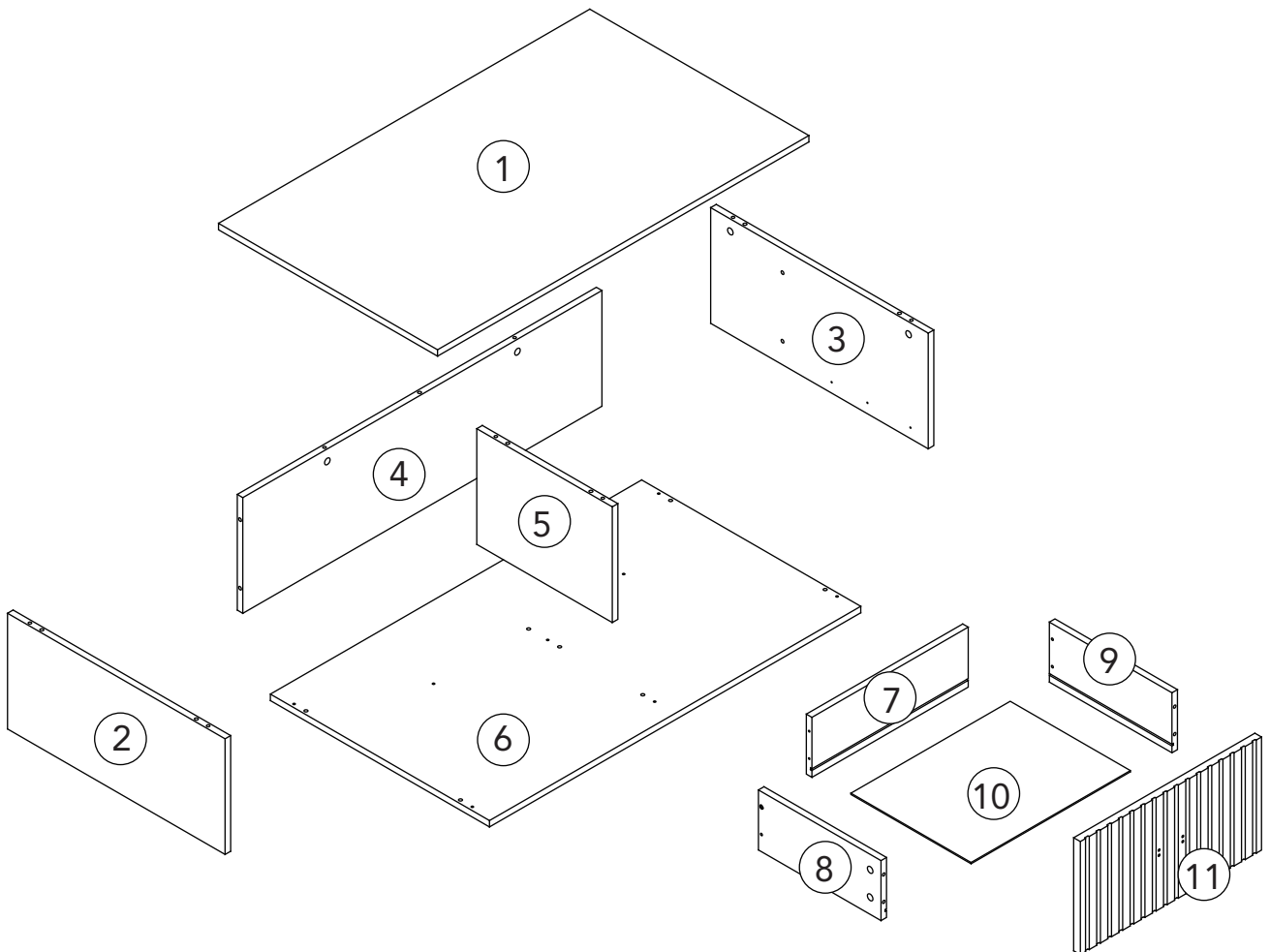
CR × 1



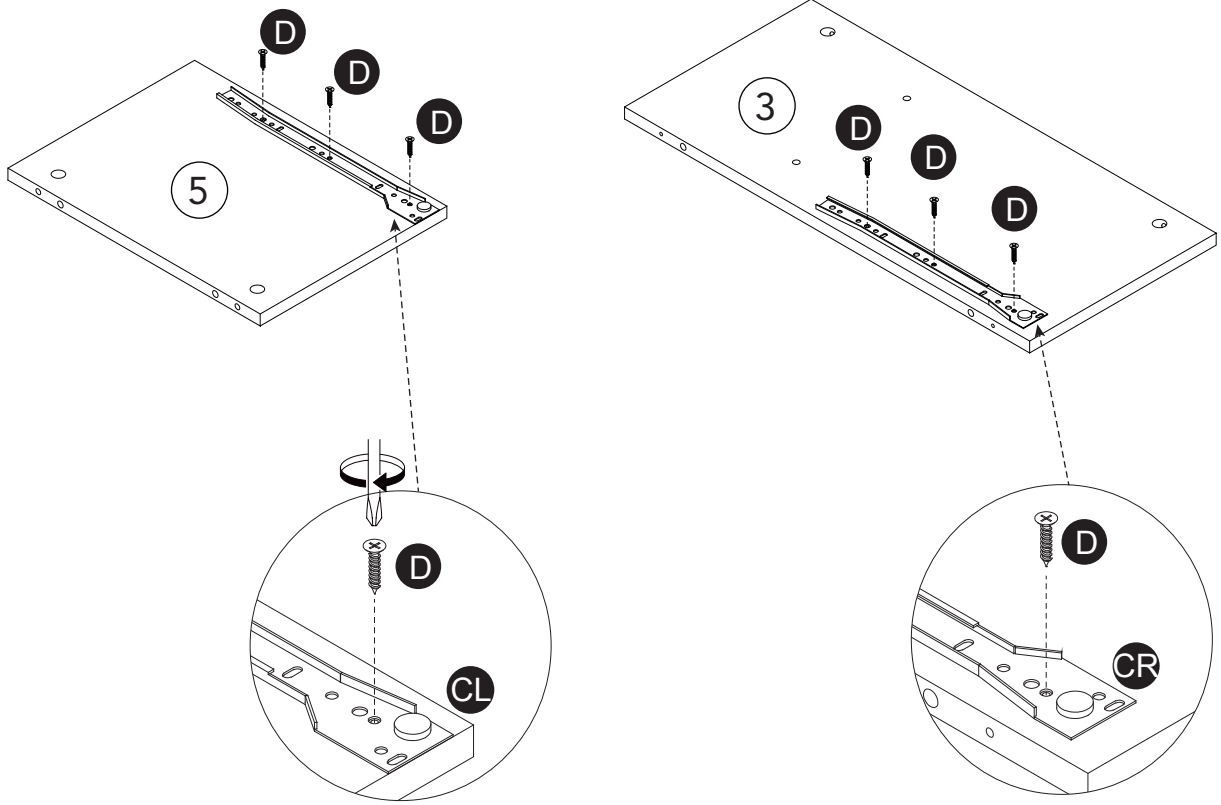
DL × 1



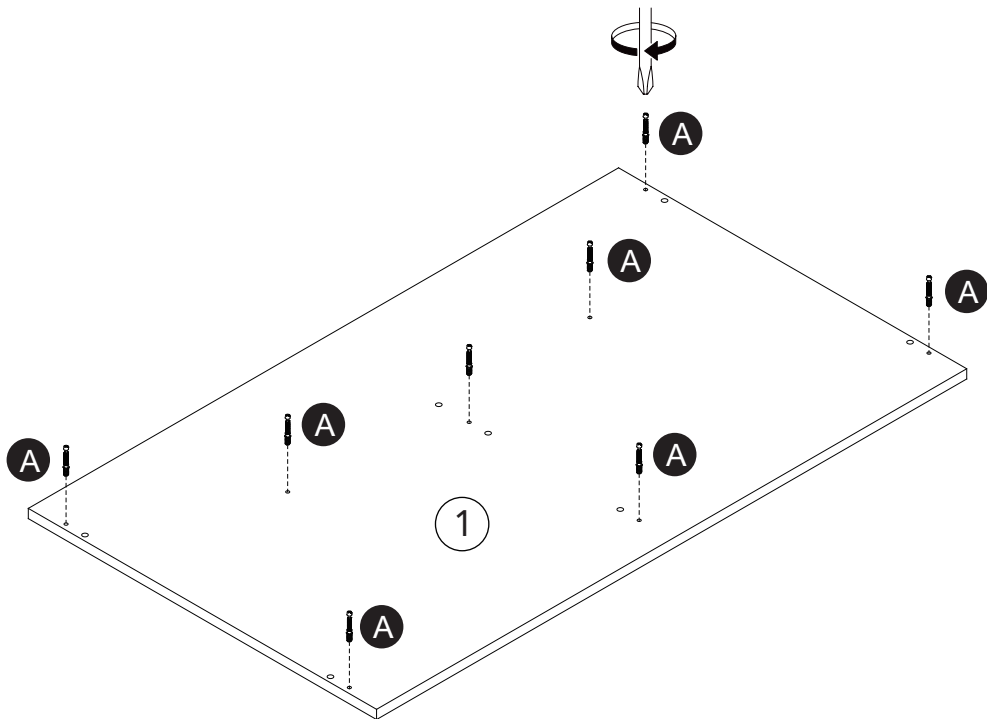
DR × 1



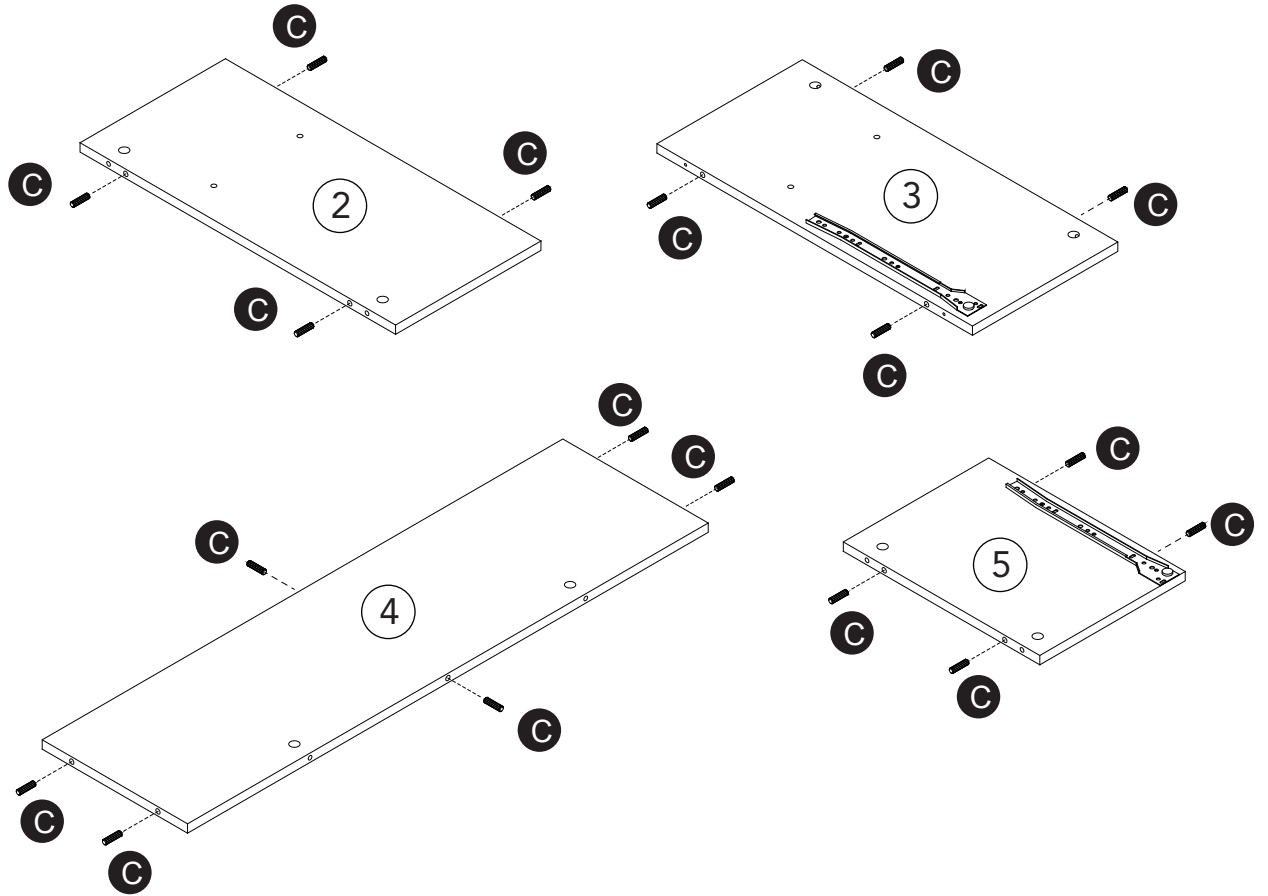
1



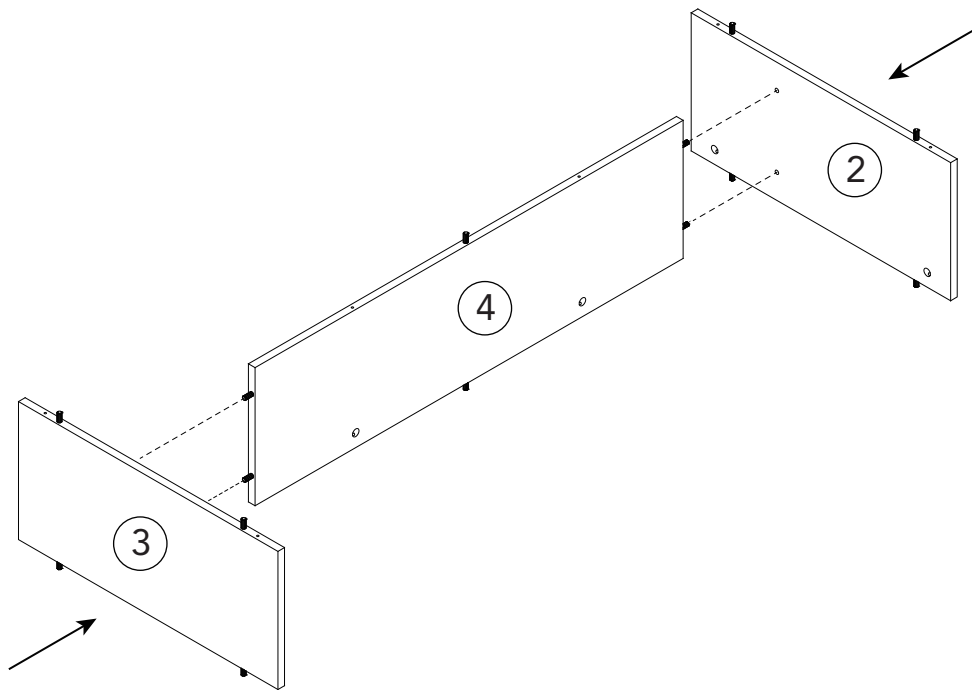
2



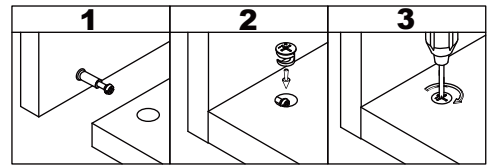
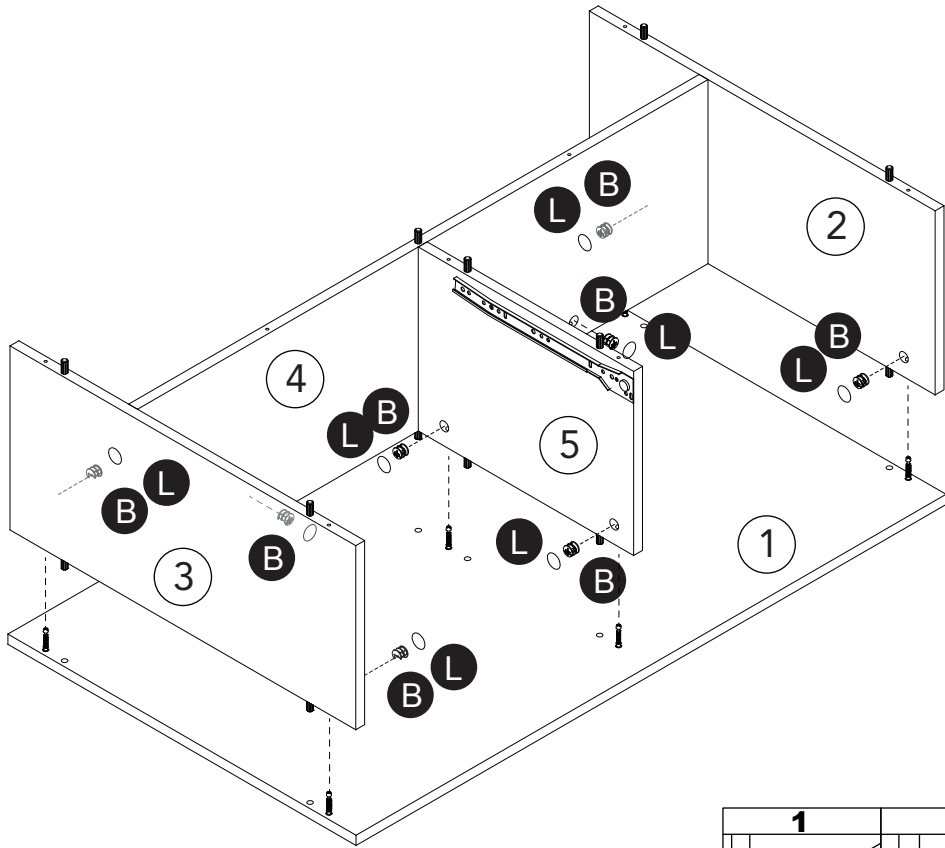
3



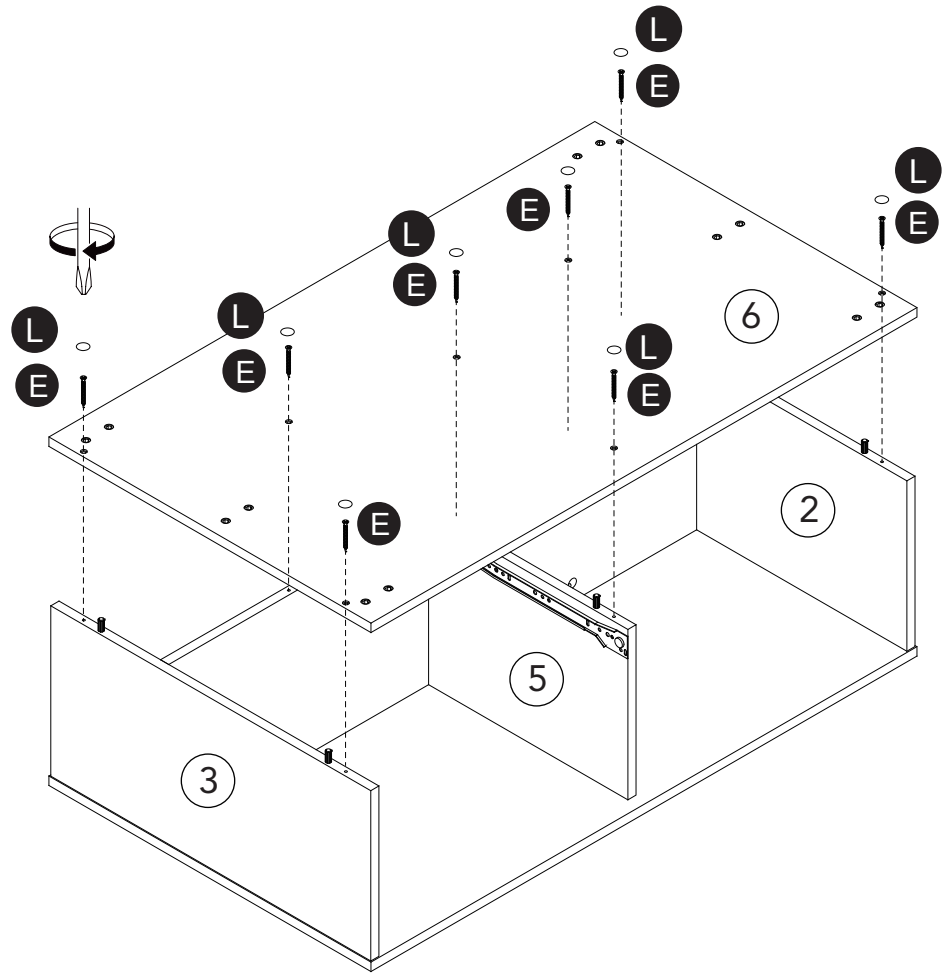
4



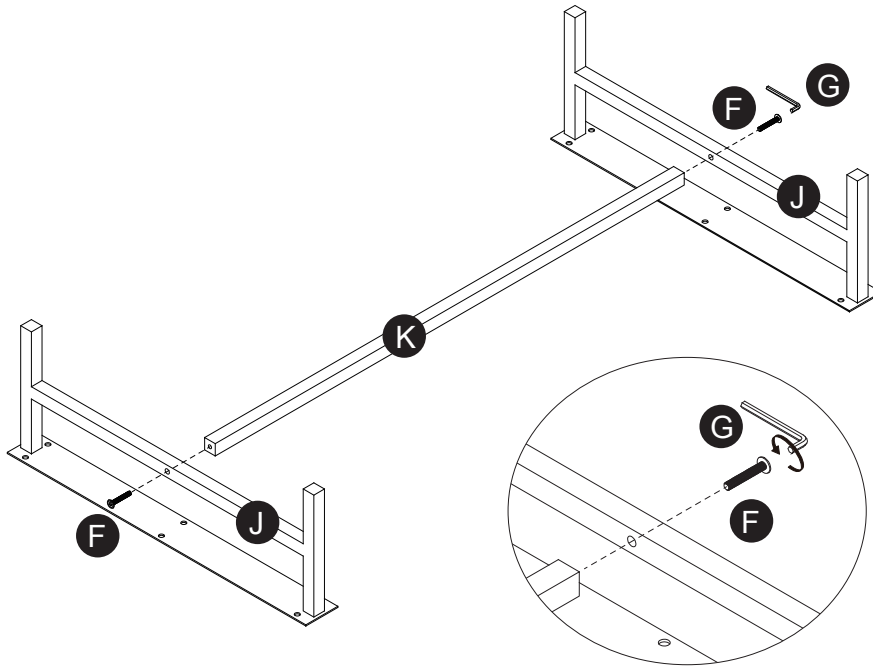
5



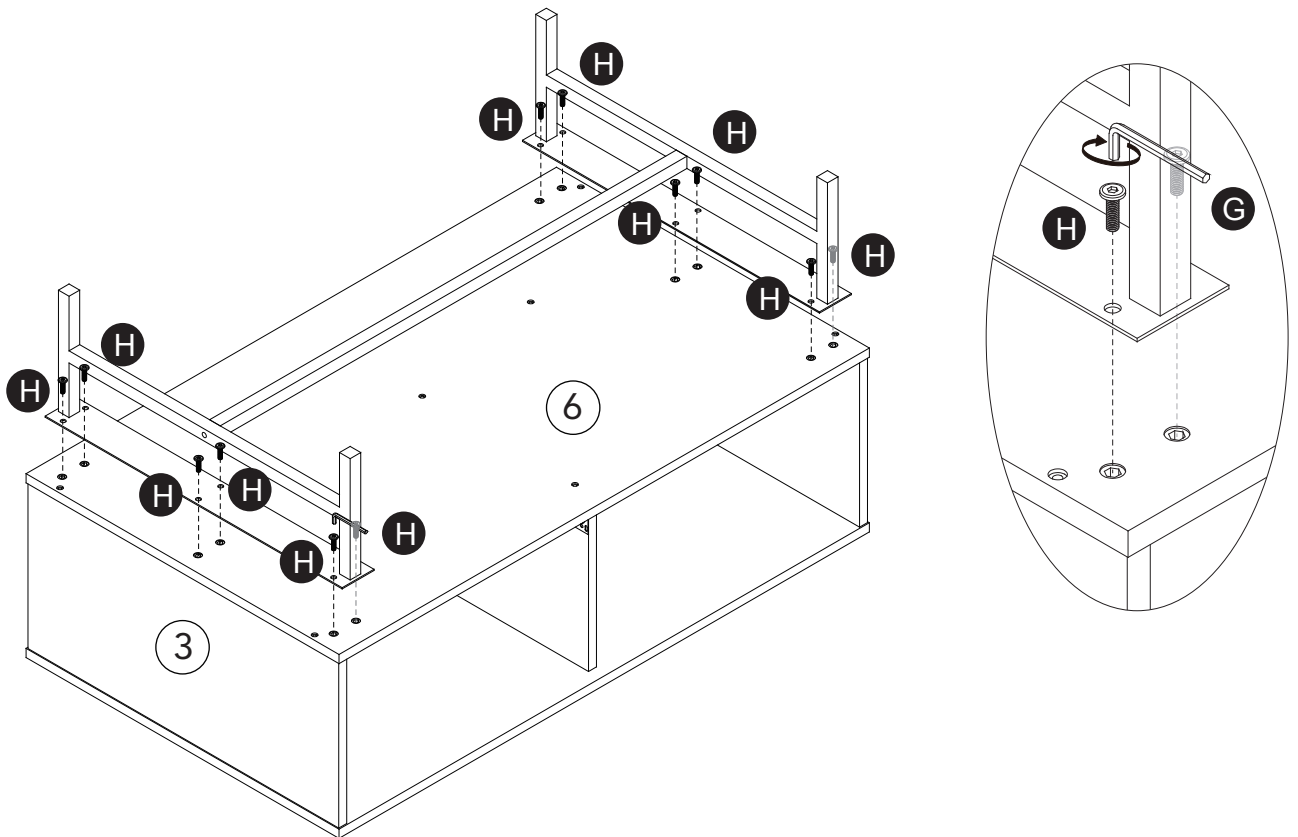
6



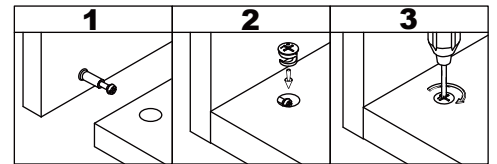
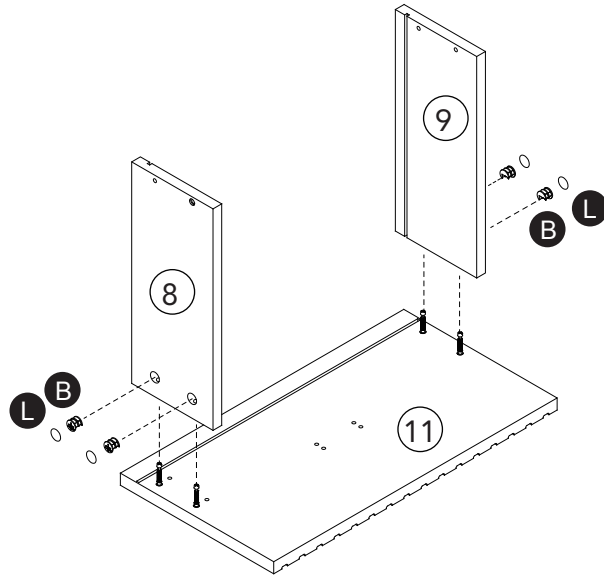
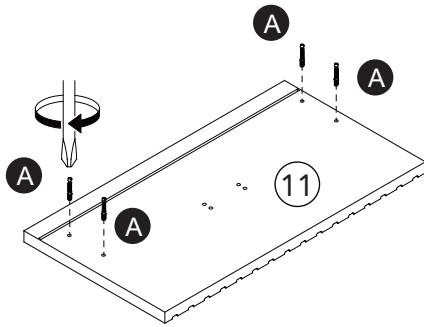
7



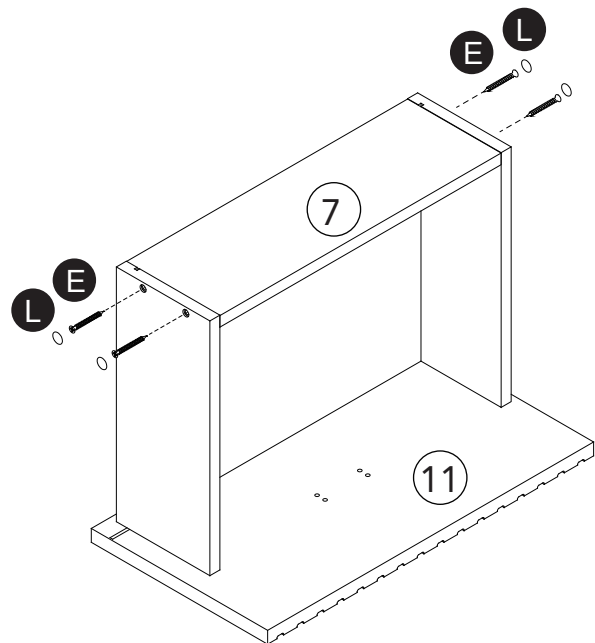
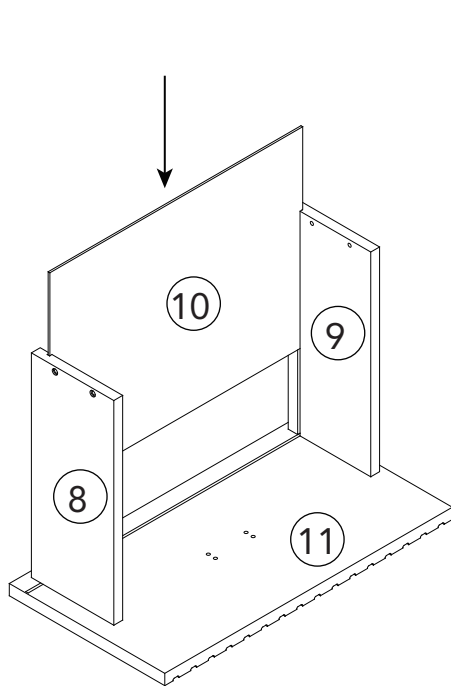
8



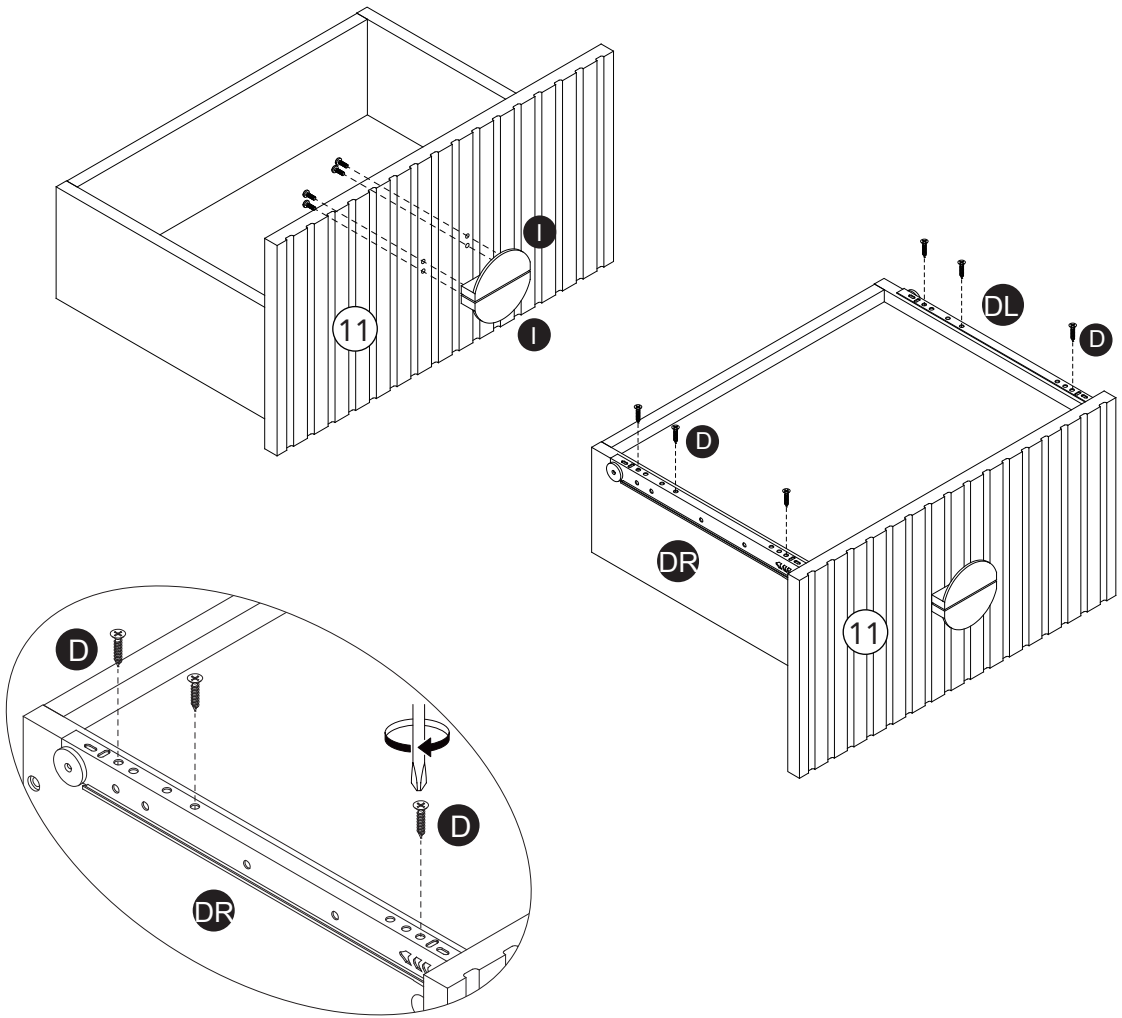
9



10



11



12

