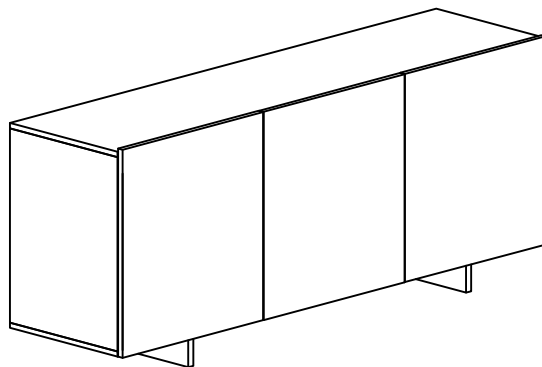


**2 ΧΡΟΝΙΑ ΕΓΓΥΗΣΗ**



# Intro

A/a	2x 663x380	2/3
B	663x376	2/3
C	1500x380	1/3
D	1500x380	1/3
E	484x360	1/3
F	968x360	1/3
G	968x100	1/3
H	2x 380x100	1/3
I	3x 710x497	3/3
J	2x 341x1488	1/3



20x  10174	20x  10013	20x  50317	3x  40158	3x  40161	8x  50332	4x  50738
2x  51066	2x  10060	2x  10021	29x  10001	 10033		

