

ASSEMBLY INSTRUCTION

TMB 88

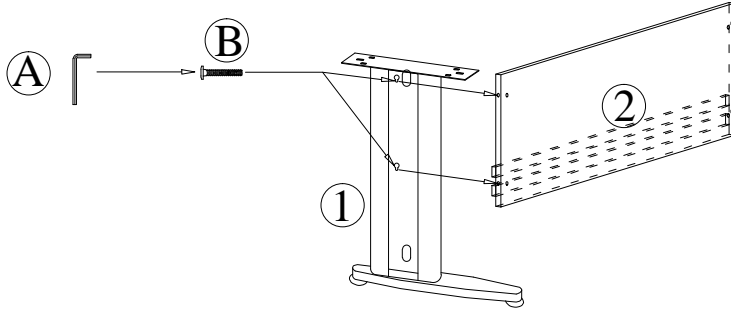
PART	QTY
A	1

PART	QTY
C M6 x 16mm	4

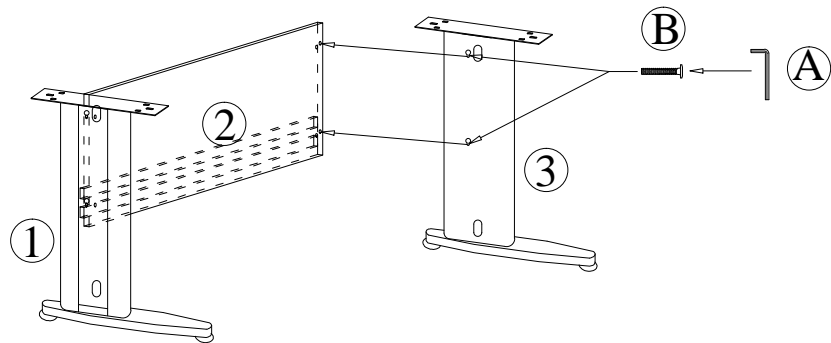
PART	QTY
B M6 x 35mm	4

PART	QTY
D M3.5 x 16mm	8

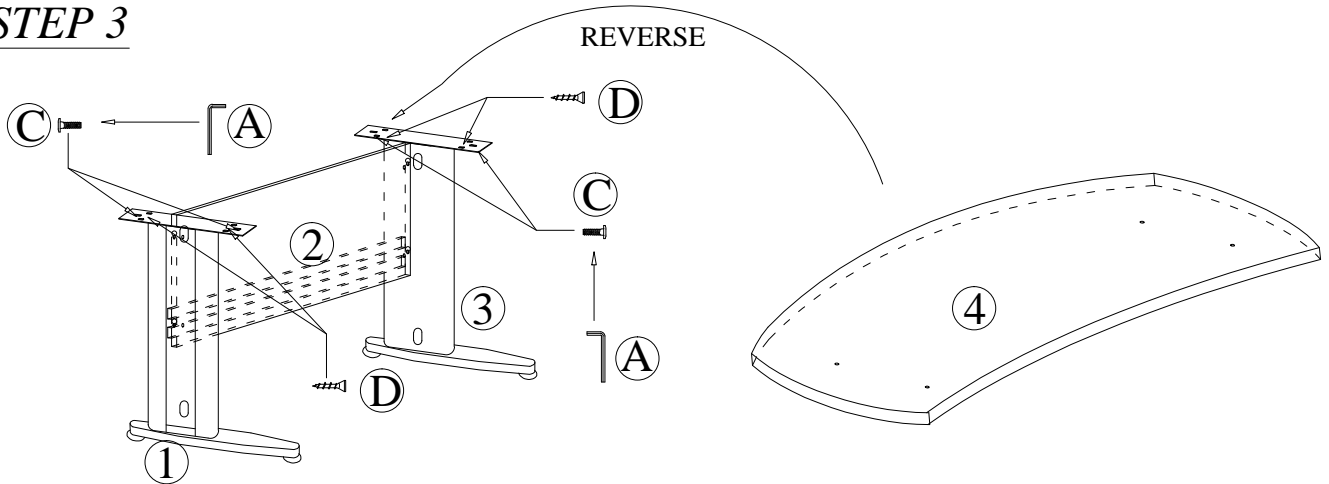
STEP 1



STEP 2



STEP 3



FINISHING

